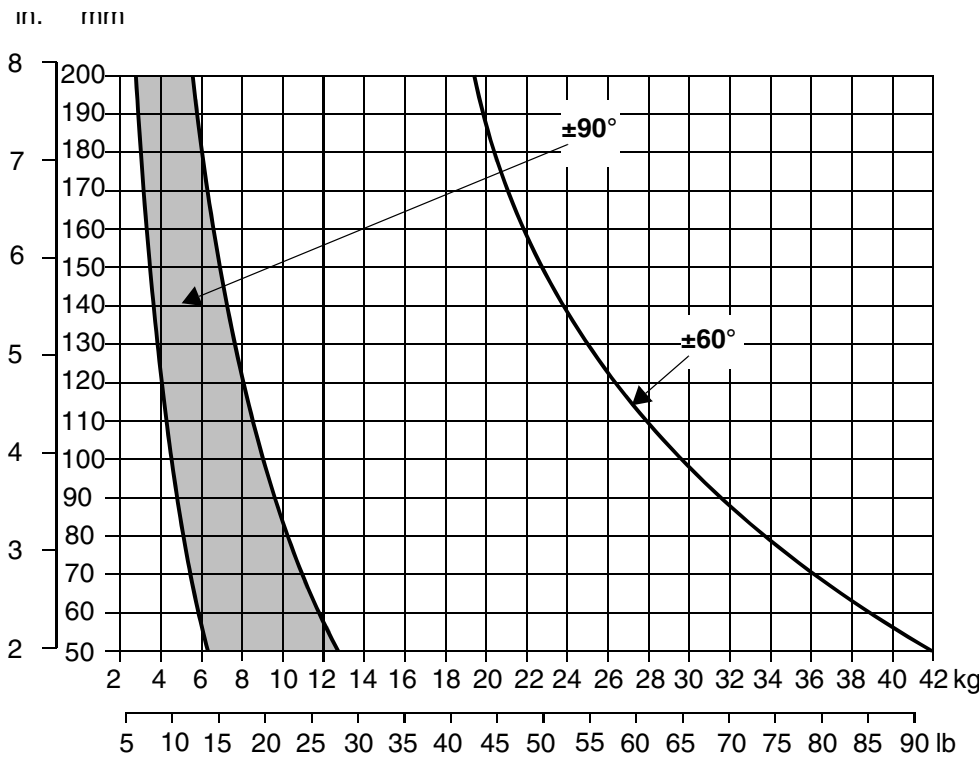
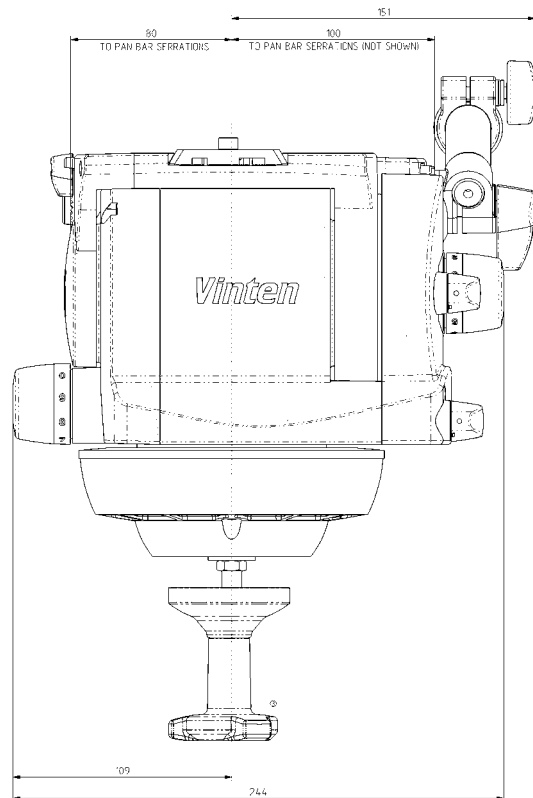
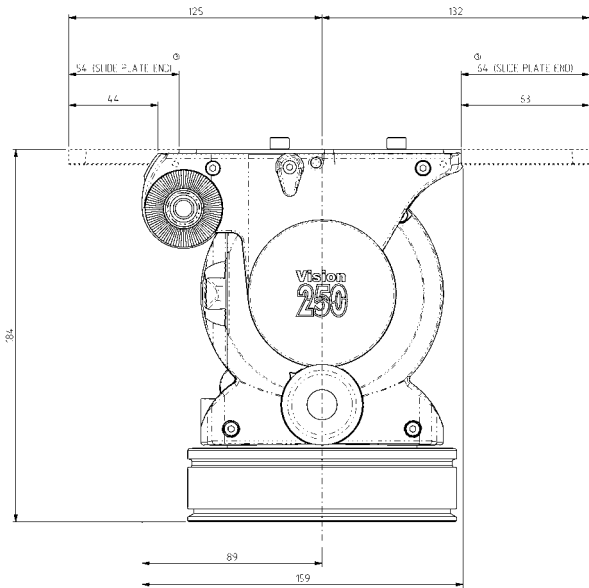


Vision 250 Pan & Tilt Head

Ball Base - 3465-3S Flat base - 3465-3F



The graph shows the range of load and C of G height that can be maintained in balance. The shaded area of graph corresponds to those load/C of G combinations that can be balanced over the full tilt range. The areas to the right indicate the progressively reducing tilt range with greater load and higher C of G.

Where a load/C of G combination falls outside of the graph it will be necessary to increase or decrease the weight or the C of G height - if possible - to enable the head to balance the load.

Technical Data

Vinten

Weight

Flat base (complete with pan bar) 6.05 kg (13.3 lb)

Ball base (complete with pan bar and bowl clamp) 6.39 kg (14 lb)

Height to mounting face

Flat base 184 mm (7.24 in.)

Ball base 171 mm (6.73 in.)

Length

159 mm (6.23 in.)

Width

244 mm (9.6 in.)

Typical payload

3 to 33kg (7-73lb) – See Balance Graph

Tilt range

±90°

Pan range

360°

Pedestal/tripod fixing

100/150 mm ball

Four-hole flat base

Main assemblies

Vision 250 Pan and Tilt Head (flat base) 3465-3F

Vision 250 Pan and Tilt Head (100/150 mm ball mount) 3465-3S

Bowl clamp knob assembly 3330-30

Telescopic pan bar and clamp 3219-91

Camera mounting plate 3364-900SP

Fixing bolt (flat base) L054-714

Washer - for fixing bolt L602-122

Spanner - for head bolts J551-001

Vinten Broadcast Limited
Western Way, Bury St. Edmunds
Suffolk IP33 3TB, United Kingdom
Telephone +44 (0)1284 752121
Telefax +44 (0)1284 750560
Sales Office Fax +44 (0)1284 757929

Vinten GmbH
Gebäude 16
Planiger Straße 34
D-55543 Bad Kreuznach, Germany
Telephone +49 (0) 671/483 43-30
Telefax +49 (0) 671/483 43-50

Vinten Japan KK
3-37-5 Sendagaya
Shibuya-Ku, Tokyo 151-0051, Japan
Telephone +81 3-3478-6017
Telefax +81 3-3478-6018

Vinten Inc.
709 Executive Boulevard
Valley Cottage, NY 10989, USA
Telephone +1 845 268 0100
Telefax +1 845 268 0113
Toll Free 1 888 4 VINTEN (Service)
1 888 2 VINTEN (Sales)

Vinten Broadcast s.a.r.l.
171, Avenue des Grésillons
92635 GENNEVILLIERS Cedex
France
Telephone +33 08 20 82 13 36
Telefax +33 08 25 82 61 81

Vinten Asia Pacific Pte Ltd
6 New Industrial Road
#02-02 Hoe Huat Industrial Building
Singapore 536199
Telephone +65 62975776
Telefax +65 62975778

Vinten