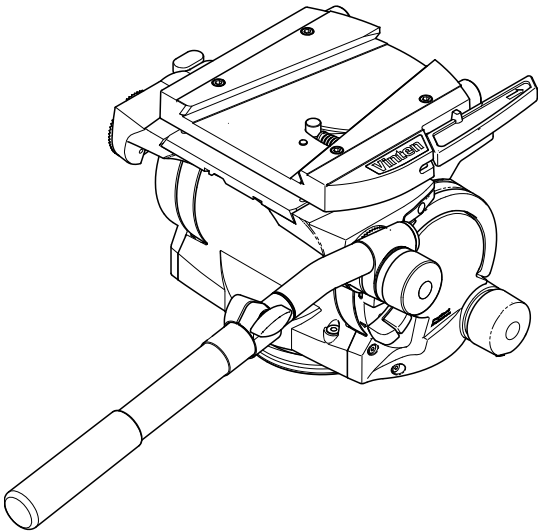


# Operators Guide

## Vector 90



## Pan & Tilt Head



***Vinten***  
Camera Control Solutions



[Back](#)

---

# Vector 90

## Pan and Tilt Head

Publication Part No. V3998-4980  
Issue 1 (2006)

Copyright © Vinten Broadcast Limited 2006

All rights reserved throughout the world. No part of this document may be stored in a retrieval system, transmitted, copied or reproduced in any way including, but not limited to, photocopy, photograph, magnetic or other record without the prior agreement and permission in writing of Vinten Broadcast Limited.

Vinten, Vector and Quickfix are registered trademarks of Vinten Broadcast Limited.

Printed in Great Britain by DPS, Newmarket, Suffolk



Back

---

## Understanding these instructions

### English

- (EN)** The original instructions presented in this operators guide were written in English, and subsequently translated into other languages. If you are unable to understand these instructions, contact Vinten or your distributor to obtain a translation of the original instructions (EU Countries).

### БЪЛГАРСКИ

- (BG)** Оригиналните инструкции, представени в настоящото ръководство на производителя, бяха написани на английски език, а след това - преведени на други езици. Ако не разбирате тези езици, свържете се с Vinten или с Вашия дистрибутор, за да получите оригиналните инструкции (за страните от Европейския съюз).

### Česky

- (CS)** Pokyny uvedené v této operátorské příručce byly původně napsány anglicky a následně byly přeloženy do ostatních jazyků. Nerozumíte-li těmto pokynům, kontaktujte společnost Vinten nebo svého distributora, abyste získali překlad originálních pokynů (členské státy EU).

### Danish

- (DA)** De originale instruktioner, der præsenteres i denne betjeningsvejledning, er skrevet på engelsk og derefter oversat til andre sprog. Hvis du ikke forstår disse instruktioner bedes du kontakte Vinten eller vor forhandler for at få en oversættelse af de originale instruktioner (EU-lande).

### Deutsch

- (DE)** Die Originalanleitung in diesem Bedienungshandbuch wurde auf Englisch verfasst und anschließend in andere Sprachen übersetzt. Bei Verständnisproblemen in einer der übersetzten Sprachen kontaktieren Sie bitte Vinten oder Ihren Fachhändler; dort erhalten Sie eine Übersetzung der ursprünglichen Anleitung (EU-Staaten).

### Eesti

- (ET)** Käesoleva kasutajjuhendi algtekst on koostatud inglise keeles ning seejärel tõlgitud teistesse keeltesse. Kui juhend osutub teie jaoks arusaamatuks, võtke juhendi emakeelse tõlke hankimiseks ühendust Vinteni või kohaliku esindajaga (Euroopa Liidu riigid).

### Ελληνικά

- (EL)** Οι αρχικές οδηγίες αυτού του οδηγού για το χειριστή συντάχθηκαν στα Αγγλικά και μεταφράστηκαν στη συνέχεια σε άλλες γλώσσες. Εάν δυσκολεύεστε να καταλάβετε αυτές τις οδηγίες, επικοινωνήστε με τη Vinten ή το διανομέα σας για να λάβετε μια μετάφραση των αρχικών οδηγιών (Χώρες ΕΕ).

### Español

- (ES)** Las instrucciones originales que se indican en esta guía del operador se han redactado en inglés y posteriormente se han traducido a otros idiomas. Si no entiende estas instrucciones, póngase en contacto con Vinten o con su distribuidor para obtener una traducción de las instrucciones originales (para países de la UE).

### Français

- (FR)** Les instructions originales présentées dans ce guide d'utilisation ont été écrites en anglais puis traduites dans d'autres langues. Si vous ne comprenez pas ces instructions, contactez Vinten ou votre revendeur pour obtenir une traduction des instructions originales (pour les pays de l'UE).



Back

---

## Gaeilge

- GA** Scríobhadh na treoracha bunaidh don treoirleabhar oibritheora seo as Béarla, agus aistríodh iad go teangacha eile ina dhiaidh sin. Mura bhfuil tú in ann na treoracha seo a thuiscint, téigh i dteagmháil le Vinten nó le do dháileoir, chun aistriúchán de na treoracha bunaidh a fháil (Tíortha an AE).

## Italiano

- IT** Le istruzioni originali presentate in questa guida per l'operatore sono in lingua inglese e successivamente tradotte nelle altre lingue. Qualora le istruzioni non fossero disponibili nella lingua desiderata, potete contattare Vinten o il vostro distributore per ricevere la traduzione delle istruzioni originali (Paesi UE).

## Latviešu

- LV** Šajā operatora rokasgrāmatā iekļautie norādījumi sākotnēji tika sarakstīti angļu valodā un pēc tam pārtulkoti citās valodās. Ja nesaprotat šos norādījumus svešvalodā, sazinieties ar Vinten vai tirgotāju, lai saņemtu norādījumu tulkojumu (kādā no ES dalībvalstu valodām).

## Lietuvių

- LT** Šiame operatoriaus vadove pristatomos pirminės instrukcijos parašytos anglų kalba ir vėliau išverstos į kitas kalbas. Jei šių instrukcijų nesuprantate, susisiekite su „Vinten“ arba savo platintoju ir gaukite pirminių instrukcijų vertimą (ES šalies kalba).

## Magyar

- HU** A kezelői útmutatóban található utasítások angol nyelven íródtak, és utólag fordították azokat más nyelvekre. Ha nem érti ezen utasításokat, kérjük, vegye fel a kapcsolatot a Vintennel vagy a helyi képviselővel, és igényelje az eredeti utasítások fordítását (EU országok).

## Malti

- MT** L-istruzzjonijiet originali ipprezentati f'din il-gwida ta' operaturi kienu miktuba bl-Ingliż, u sussegwentement maqluba fl-lingwi oħra. Jekk ma tistax tifhem dawn l-istruzzjonijiet, ikkuntattja lil Vinten jew id-distributtur tieghek biex tikseb traduzzjoni ta' l-istruzzjonijiet originali (Pajjiži ta' UE).

## Nederlands

- NL** De oorspronkelijke instructies in deze bedieningshandleiding zijn geschreven in het Engels en vervolgens in andere talen vertaald. Als het onmogelijk is deze instructies te begrijpen, neemt u contact op met Vinten of met uw distributeur om een vertaling te bemachtigen van de oorspronkelijke instructies (EG-landen).

## Polski

- PL** Oryginalne instrukcje zamieszczone w niniejszym podręczniku operatora zostały napisane w języku angielskim, a następnie przetłumaczone na inne języki. Jeśli nie rozumieją Państwo tych instrukcji, prosimy skontaktować się z siedzibą lub dystrybutorem Vinten, aby uzyskać tłumaczenie oryginalnych instrukcji (kraje UE).

## Português

- PT** As instruções originais apresentadas no guia do operador foram escritas em Inglês e traduzidas para outros idiomas. Se não conseguir compreender estas instruções contacte a Vinten ou o seu distribuidor para obter a tradução das instruções originais (Países da UE).



Back

---

### Română

- RO** Instrucțiunile originale prezentate în acest ghid pentru operatori au fost scrise în limba engleză, și traduse ulterior în alte limbi. În cazul în care nu înțelegeți aceste instrucțiuni, contactați Vinten sau distribuitorul dumneavoastră pentru a obține o traducere a instrucțiunilor originale (Țările UE).

### Slovensky

- SK** Pôvodné pokyny, uvedené v tomto návode na obsluhu, boli napísané v angličtine a následne preložené do iných jazykov. Ak nerozumiete týmto pokynom, obráťte sa na spoločnosť Vinten alebo vášho distribútora, aby vám zaslal preklad originálnych pokynov (krajinu EÚ).

### Slovenščina

- SL** Originalno besedilo teh navodil za uporabo je bilo napisano v angleščini in prevedeno v ostale jezike. Če ne razumete teh navodil, se obrnite na podjetje Vinten ali lokalnega zastopnika, ki vam bo posredoval originalna navodila (velja za dr\_ave EU).

### Suomi

- FI** Tähän käyttäjän oppaaseen sisältyvät ohjeet on kirjoitettu alun perin englanniksi ja käännetty sitten muille kielille. Ellei ymmärrä näitä ohjeita, ota yhteyttä Vinteniin tai jälleenmyyjään ja pyydä alkuperäisten ohjeiden käännöstä (EU-maat).

### Svenska

- SV** Instruktionerna i denna handbok skrevs ursprungligen på engelska och har sedan översatts till flera språk. Om du inte förstår dessa instruktioner, kontakta Vinten eller din återförsäljare för en ny översättning av originalinstruktionerna (EU-länder).



Back

---

## Preface

### Thank you and congratulations on your new Vector 90 from Vinten

We want you to get the most from your new Vector 90, and therefore encourage you to read this operators guide to familiarise yourself with its many features, some of which may be new to you. It also covers essential health and safety information and a section on maintenance that will ensure you keep your new product in perfect condition.

To receive additional benefits, register with Vinten now, on line by visiting [www.vinten.com/register](http://www.vinten.com/register) or by completing the enclosed form.

### Features and benefits of your new Vector 90

The Vector 90 has been specifically designed to meet the exacting demands of camera operators working with portable studio, OB and EFP configured cameras. The Vector 90 offers a high level of control with many unique features.

- **Suitable for a wide range of cameras, from 10-90 kg (22-198 lb) at 150 mm (6 in.) C of G and supplied with a wedge adaptor.**
- **The unique Perfect Balance system provides infinite adjustment, enabling you to achieve perfect camera balance throughout the tilt range, regardless of drag setting.**
- **A retractable adjuster provides extensive camera fore and aft movement so that you can position the camera easily and perfectly.**
- **You can keep up with the action as it happens with the responsive LF Drag control. The LF drag system also allows you to pan extremely quickly or “whip pan” from one position to another, recovering instantly without any spring back.**
- **You can set up easily in low light conditions using the illuminated level bubble .**
- **Easy to carry, with an integral, fold-away handle.**

**Once again, thank you for choosing the Vector 90.**

**We are confident it will give you many years of reliable performance.**



Back

---

## Safety - read this first

### English—Original Instructions

The original instructions presented in this operators guide were written in English, and subsequently translated into other languages. If you are unable to understand any of the translated languages, contact Vinten or your distributor to obtain a translation of the original instructions (EU Countries).

### Warning Symbols in this Operators Guide



Where there is a risk of personal injury, injury to others, or damage to the pan and tilt head or associated equipment, comments appear, highlighted by the word **WARNING!** and supported by the warning triangle symbol.

## Technical data

Weight	15 kg (33 lb)
Height to wedge adaptor mounting face	24.8 cm (11.3 in.)
Length	22.5 cm (8.9 in.)
Width	34.2 cm (13.5 in.)
Typical payload	10-90 kg (22-198 lb) - See balance graph (Fig 3)
Tilt range	45 kg payload to $\pm 90^\circ$ , 90kg payload to $\pm 60^\circ$
Pan range	360°
Pedestal/tripod fixing	Four-hole flat base 'Quickfix' adaptor Mitchell adaptor

## Further information

For further information or advice regarding this pan and tilt head, please contact Vinten Broadcast Limited, your local Vinten distributor (see back cover) or visit our website.

For details on maintenance and spare parts, please refer to the Vector 90 Pan and Tilt Head Maintenance Manual and Illustrated Parts List (Publication Part No. V3998-4990) This is obtainable from Vinten Broadcast Limited or your local Vinten distributor. For information on-line, visit our website at

**[www.vinten.com](http://www.vinten.com)**



Back

---

## Contents

	Page
<b>Preface</b> .....	6
<b>Safety - read this first</b> .....	7
<b>Technical data</b> .....	7
<b>Further information</b> .....	7
<b>Introduction</b>	
Perfect balance .....	11
LF drag .....	11
Pan and tilt brakes .....	11
Centre lock .....	11
Illuminated level bubble .....	11
Pan bar .....	11
Wedge adaptor .....	12
Four-hole mounting plate .....	12
Carrying handle .....	12
<b>Operation</b>	
Installing the head .....	13
Pan bars .....	13
Fitting a camera .....	13
Balancing the head .....	14
Locking the platform .....	17
Pan and tilt brakes .....	17
Pan and tilt drag .....	17
<b>Servicing</b>	
General .....	18
Routine maintenance .....	18
Cleaning .....	18
Level bubble battery replacement .....	18
Adjustments .....	19
Repositioning the wedge adaptor .....	19
Platform slide clamp adjustment .....	20
Brake and drag control knob adjustment .....	20
<b>Parts List</b> .....	21

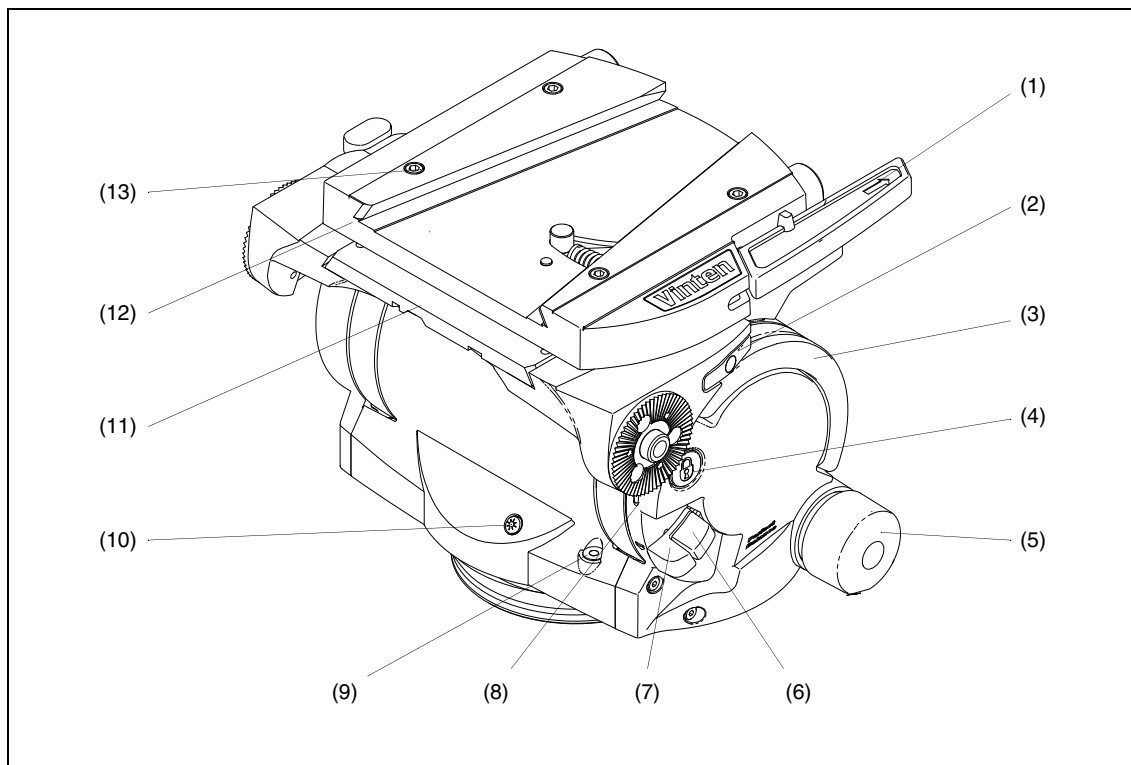
### Associated publication

Vector 90 Pan and Tilt Head  
Maintenance Manual  
Publication Part No. V3998-4990





Back

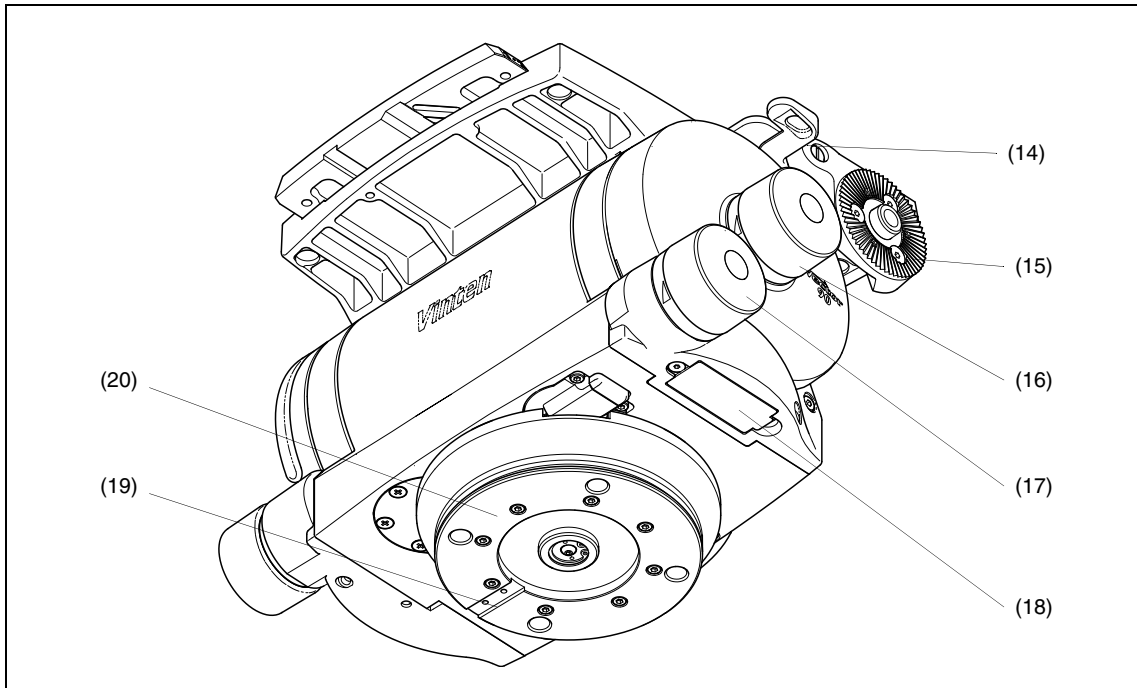


**Fig 1 Vector 90 Pan and Tilt Head (Right-Hand Side)**

- |      |                                 |
|------|---------------------------------|
| (1)  | Wedge adapter operating lever   |
| (2)  | Sliding plate adjustment handle |
| (3)  | Carrying handle                 |
| (4)  | Centre lock plunger             |
| (5)  | Balance knob                    |
| (6)  | Tilt brake lever                |
| (7)  | Pan brake lever                 |
| (8)  | Centre lock release lever       |
| (9)  | Illuminated level bubble        |
| (10) | Illumination button             |
| (11) | Graduated sliding plate         |
| (12) | Wedge adapter                   |
| (13) | Wedge adapter mounting screw    |



Back



**Fig 2 Vector 90 Pan and Tilt Head (Left-Hand Side)**

- |      |                           |
|------|---------------------------|
| (14) | Sliding plate clamp lever |
| (15) | Pan bar mounting          |
| (16) | Tilt drag adjustment knob |
| (17) | Pan drag adjustment knob  |
| (18) | Battery cover             |
| (19) | Mitchell adapter key way  |
| (20) | Four-hole mounting plate  |



Back

---

## Introduction

The Vector 90 pan and tilt head embodies a unique and patented spring counterbalancing mechanism, lubricated friction (LF) drag assemblies for pan and tilt motions and an adjustable camera mounting plate.

### Perfect balance

The spring counterbalancing mechanism comprises four springs operating against a three-dimensional cam connected to the camera mounting platform. The balance mechanism is adjusted by a knob (5), situated on the right front lower part of the main body, which varies the mechanical advantage between the cam and the springs. The knob has a 'push in and turn' action and is fitted with a clutch to prevent inadvertent damage to the balance mechanism.

Maximum and minimum payloads that can be balanced, and tilt ranges, are dependent on the weight of the camera and accessories and on the centre of gravity (C of G) height.

The graph (Fig 3) shows the range of load and C of G height that can be maintained in balance. The shaded area of graph corresponds to those load/C of G combinations that can be balanced over the full tilt range. The area to the right indicate the progressively reducing tilt range with greater load and higher C of G.

Where a load/C of G combination falls outside of the graph it will be necessary to increase or decrease the weight or the C of G height - if possible - to enable the head to balance the load.

### LF drag

Both the pan and tilt mechanisms incorporate the patented Vinten lubricated friction (LF) system to ensure smooth movement of the camera about these axes and are fitted with control knobs (16), (17) to adjust the drag setting.

### Pan and tilt brakes

Friction brakes on each axis allow the head to be locked at any chosen position. The operating levers for both brakes (6), (7) are located side-by-side on the right-hand side of the head.

### Centre lock

A centre lock (4) allows the head to be locked in the horizontal position.

### Illuminated level bubble

A level bubble (9), illuminated by pressing the illumination button (10), is fitted to the rear of the head. The light will go out after approximately 15 seconds. The battery for the system is housed in a compartment in the base of the head, closed by a cover (18).

### Pan bar

Pan bar mounting points (15) are located at the rear of the head, on either side of the camera mounting platform. A telescopic pan bar is supplied and is attached using a pan bar clamp, with angular adjustment available on the mount serrations. A second pan bar may be fitted.



[Back](#)

---

## Wedge adaptor

The camera is attached to the head by means of a wedge adaptor (12), which is mounted on a graduated sliding plate (11). The position of the slide plate is adjusted by a retractable knob (2) and a clamp (14) is provided to hold the slide plate in position.

## Four-hole mounting plate

The head is provided with a standard Vinten four-hole mounting plate (20), which includes a 'Quickfix' mounting and provision for use of a Mitchell adapter (19).

## Carrying handle

A retractable carrying handle (3) is provided on the right-hand side of the head. The handle is spring-loaded to the closed position.



Back

---

## Operation

### Installing the head



**WARNING!** If using lifting equipment to raise or lower the head, use slings or straps. **DO NOT** use shackles. Ensure that slings or straps are securely attached to the head. A suitable lifting point is at the rear of the platform, accessed by moving the sliding plate (13) to the fully forward position. **DO NOT** attach lifting slings or straps to the carrying handle.

---

---

The Vector 90 head may be installed on a standard 'Vinten' tripod or pedestal using the four mounting bolts and washers provided or by using a 'Quickfix' adaptor.

Adaptors are available which enable the heads to be installed on tripods or pedestals fitted with other mountings. These are listed in the Parts List under [Optional accessories](#).



**WARNING!** Before installing the head, hold a fixing bolt in position and check that the threaded end does not project more than 12 mm (15/32 in.) above the mounting face

---

---

After mounting the head on a tripod, use the level bubble (9) to set it level. The level bubble may be illuminated by pressing the illumination button (10). The light will go out after approximately 15 seconds.

### Pan bars

Fit the pan bars on the mountings (15) and adjust the position of each one before tightening the clamps. Adjust the length of the telescopic pan bar. Optional fixed and short fixed pan bars are available (see [Main assemblies](#) in the Parts List).

### Fitting a camera



**WARNING!** Do not rely on the tilt brake when changing the payload. Always engage the centre lock. Ensure that the weight and C of G height of the total payload is within the range for which the head is designed. If installing on a pedestal, lock the pedestal in the fully depressed position before installing the camera.

---

---

To fit a camera, proceed as follows:

If not already fitted, install the wedge adaptor (12) in the middle position on the sliding plate (11) (see [Servicing](#)).

Attach the wedge to the camera/lens.

---



Back

---

Ensure that the centre lock (4) is engaged (see [Locking the platform](#)).

Slide the wedge adaptor operating lever (1) forward (parallel to the wedge) about 6 mm (1/4 in.) against spring tension. Pull the operating lever out, away from the body of the wedge adaptor, as far as it will go.

Insert the camera wedge into the wedge adaptor and push it forward into full engagement. Push in the operating lever (1) until it lies parallel with the wedge adaptor body. During this operation resistance of the spring-loaded over-centre mechanism will be felt. As the lever reaches the end of its travel it will slide back (parallel to the wedge) to the locked position.

Confirm that the lever is in the locked position. This is indicated by coloured bands above the lever. When the green band only is visible, the lever is locked. If any of the red band can be seen, the lever is not locked.

Install the remainder of the payload (lens, zoom and focus controls, viewfinder, prompter etc).

## Stability



**WARNING!** When mounting the head on a tripod, it is possible to set the tripod legs so that the centre-of-gravity of the tilted payload falls outside the footprint of the tripod, leading to instability. Use the mid-level or floor spreader to ensure that the tripod legs are spread sufficiently so that the centre-of-gravity of the tilted payload remains within the footprint of the tripod. Secure the tripod with the tie-down hook or hang a suitable weight from the hook.

---

---

## Balancing the head

---

**NOTE:** It is important that the pan bar(s) and all camera accessories (lens, zoom and focus controls, viewfinder, prompter etc.) are fitted in their operational position before balancing the head. Any equipment fitted or adjusted later will unbalance the head.

---

Balancing the Vector 90 head achieves two objectives. Firstly, when a head is correctly balanced the operator will need a minimum amount of even effort to move the head. Secondly, once balanced, the head and its payload can be set to any tilt position and the head will maintain this position with 'hands off'.

The graph (Fig 3) shows the range of load and C of G height that can be maintained in balance. The shaded area of graph corresponds to those load/C of G combinations that can be balanced over the full tilt range. The area to the right indicate the progressively reducing tilt range with greater load and higher C of G



Back

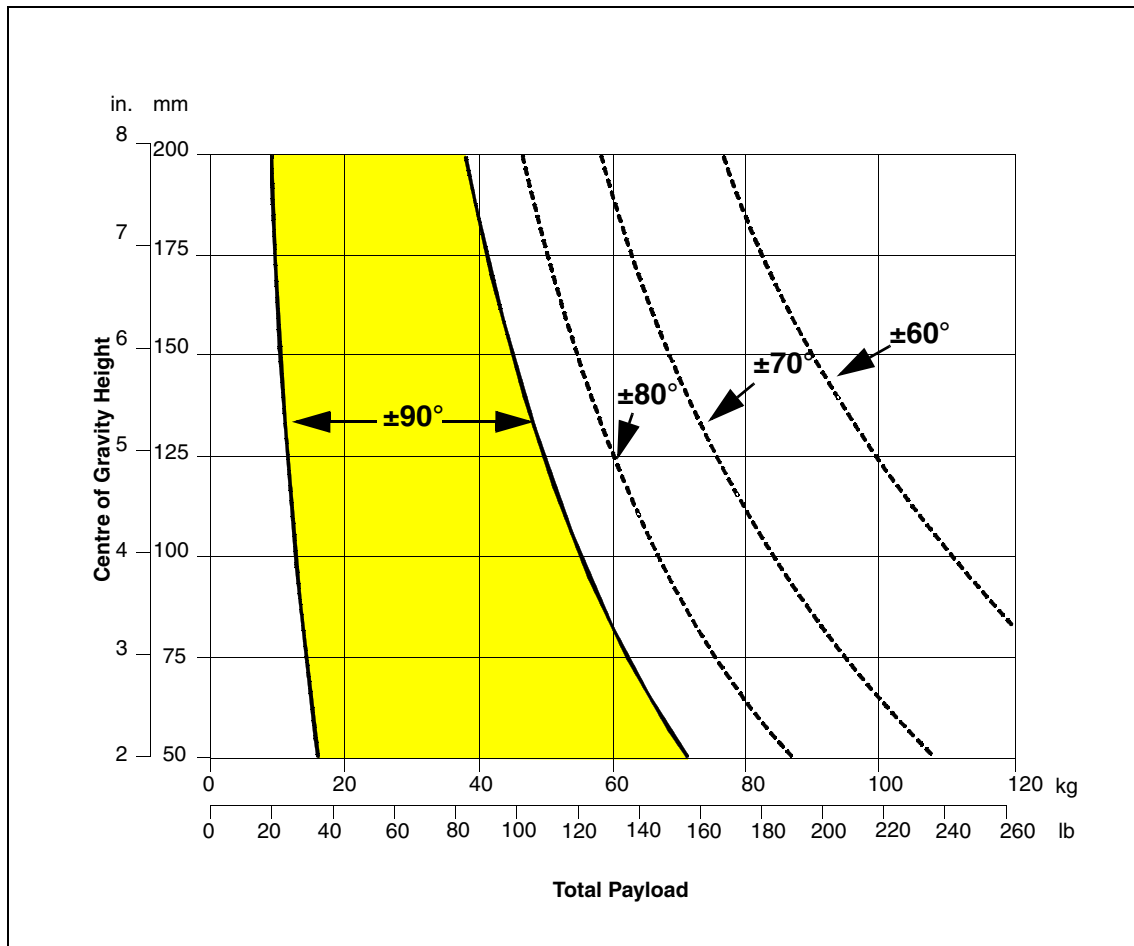


Fig 3 Balance Graph

## Fore and aft balance

When positioning the payload it is important to be aware of the potential danger of an unbalanced payload falling away suddenly. Before disengaging the centre lock, push in and turn the balance adjustment knob (8) to its mid point setting. Depending on the payload weight, it may be necessary to increase or decrease this setting to enable the payload to be correctly balanced fore and aft.

Balance the payload fore and aft as follows:

Ensure that the centre lock is engaged (see [Locking the platform](#)) and that the camera and all accessories are fitted.

Turn the tilt drag adjustment knob (16) to its minimum setting.



Back

---

Push in and turn the balance adjustment knob (5) to its mid point setting.



**WARNING!** Be prepared to prevent the head falling away suddenly. In the event of the head falling away violently, increase the setting on the balance adjustment knob (5).

---

---

Holding the pan bar to steady the platform, disengage the centre lock (see [Locking the platform](#)).

Release the sliding plate clamp (14) and pull out the sliding plate adjustment knob (2) until it engages with the platform drive. Turn the knob to move the sliding plate fore and aft to achieve horizontal balance.

---

**NOTE:** The sliding plate is graduated to facilitate balancing. If the balance setting of the payload is known, turn the knob until that setting is reached.

---

The horizontal balance is correct when no perceptible tilting force can be felt on the pan bar with the platform level. Apply the sliding plate clamp (14) and push in the adjustment knob (2) to its stowed position.

If there is insufficient movement in the sliding plate to achieve balance, reposition the wedge adaptor (see [Repositioning the wedge adaptor](#)), refit the load and repeat the horizontal balancing procedure.

The sliding plate is graduated. Make a note of the position to facilitate rebalancing this particular payload.

## Payload weight and Centre of Gravity height adjustment

When fore and aft balance has been achieved, carry out the payload weight and C of G height adjustment as follows:

Using the pan bar, tilt the platform forward and backward. When correctly balanced, there should be no perceptible tilting force on the pan bar at any angle of tilt and the head should remain in any tilt position to which it is set.

---

**NOTE:** Setting the platform level will facilitate adjusting the balance setting

---

If the head tends to fall away when the platform is tilted, set the platform level and push in and turn the balance adjustment knob (5) clockwise to increase the balance setting. If the head tends to spring back to centre, set the platform level and push in and turn the balance adjustment knob (5) counter-clockwise to decrease the balance setting.

When the payload weight and C of G height adjustment is complete, check that the fore and aft balance remains satisfactory. Re-adjust the position of the sliding plate if necessary.

After balancing, exercise the head through both axes to confirm that it operates smoothly.

---





[Back](#)

---

## Locking the platform

The centre lock mechanism is operated by a plunger on the right-hand side of the head. To engage the lock, hold the platform in the horizontal position and push the plunger (4) inwards until it latches and the release lever (8) appears. Use the pan bar to rock the platform slightly whilst pushing the button.

To release the centre lock, rock the platform slightly and push down on the release lever (8).

## Pan and tilt brakes

The pan (7) and tilt brakes (6) are operated by levers on the right of the head. The brakes are applied by pushing the appropriate lever down and released by pulling the lever up.

The brakes should be applied whenever the camera is left unattended.

## Pan and tilt drag

Both the pan and tilt mechanisms incorporate the patented Vinten lubricated friction (LF) system to ensure smooth movement of the camera about these axes and are fitted with control knobs to adjust the drag setting.

The drag adjustment knobs are mounted on the left-hand side of the head. The pan drag knob (17) is on the front lower part of the main body, with the tilt drag knob (16) in the centre on the tilt drag housing.

To increase drag, turn the knob clockwise. To decrease drag, turn the knob counter-clockwise. The whip-pan facility is unaffected by the pan drag setting.



Back

---

## Servicing

### General

The Vector 90 pan and tilt head is robustly made to high engineering standards and little attention is required to maintain serviceability save regular cleaning.

Refer to the appropriate section in the Maintenance Manual if any defect is apparent. Adjustments and repairs should be carried out only by a competent person.

### Routine maintenance

During use, check the following:

- Check the illumination of the level bubble. Replace battery if necessary.

- Check the effectiveness of the pan and tilt drag controls. Reset as necessary.

- Check the effectiveness of the pan and tilt brakes. Reset as necessary.

No further routine maintenance is required.

### Cleaning

During normal use the only cleaning required should be a regular wipe over with a lint-free cloth. Dirt accumulated during storage or periods of disuse may be removed with a semi-stiff brush. Particular attention should be paid to the wedge location faces of the wedge adaptor.

---

**NOTE: Use only detergent-based cleaners. DO NOT use solvent- or oil-based cleaners, abrasives or wire brushes to remove accumulations of dirt as these damage the protective surfaces**

---

Use out-of-doors under adverse conditions may require special attention and the head should be covered when not in use. Salt spray should be washed off using fresh water at the earliest opportunity. Sand and dirt act as an abrasive and should be removed using a semi-stiff brush or a vacuum cleaner.

### Level bubble battery replacement

The battery illuminates the level bubble (4) when the switch (12) is pressed. The level bubble remains lit for approximately 15 seconds.

The battery should be replaced yearly or whenever the illumination is considered inadequate.

To replace the battery:

- Prise out the battery cover (18).

- Pull the battery (18.1) out of the battery compartment as far as the wiring will allow.

- Pull the connector (18.2) off the terminals of the old battery and push it onto the terminals of the new battery (18.1).

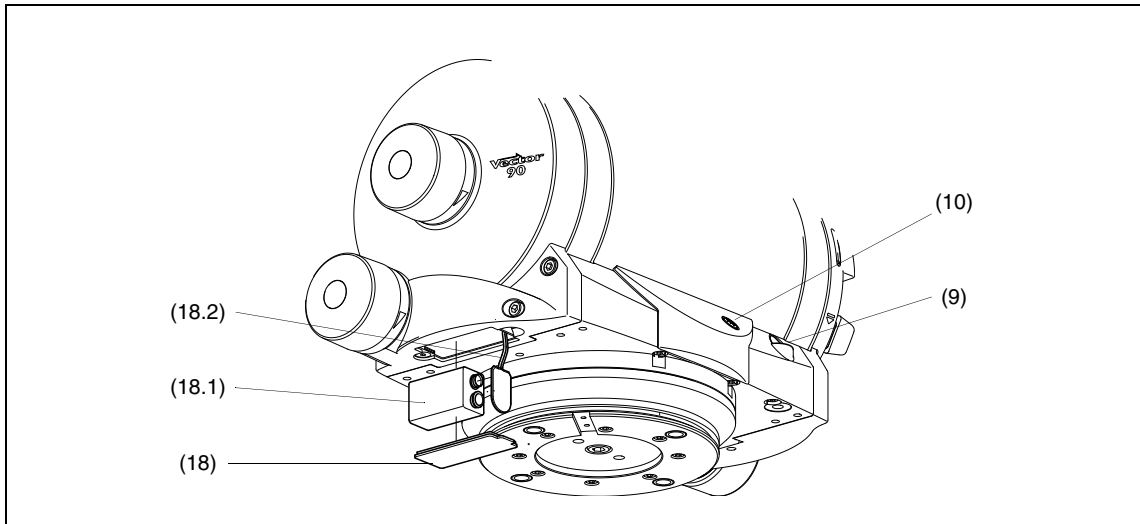


Back

Install the battery (18.1) in the battery compartment, ensuring that the wiring is neatly stowed.

Refit the battery cover (18).

Press the illumination button (10) and ensure that the level bubble (9) is lit for approximately 15 seconds.



**Fig 4 Level Bubble Battery Replacement**

## Adjustments

To enable the payload to be correctly balanced, the wedge adaptor may require repositioning.

The following adjustments may be necessary after prolonged use:

- The platform slide clamp may require adjustment.

- The pan and tilt brakes may require adjustment.

- The pan and tilt drag controls may require adjustment.

## Repositioning the wedge adaptor

The wedge adaptor (14) is secured by four cap head screws (15) which pass through the wedge adaptor into the sliding plate (13). The wedge adaptor may be fitted in three positions.



**WARNING! Overlong screws will prevent the sliding plate from operating. Always use the screws provided (M6 x 30 mm).**



Back

To reposition the wedge adaptor:

Engage the centre lock (see [Locking the platform](#)) and remove the payload.

Hold the body of the wedge adaptor (14) and use a 4 mm hexagon wrench to remove four securing screws (15).

Reposition the wedge adaptor (14) on the sliding plate (13), ensuring that the narrow end of the wedge adaptor faces forwards

Insert the four screws (15) in the holes in the wedge adaptor and tighten.

## Platform slide clamp adjustment

The platform slide clamp should be set so that, in the up or clamped position it prevents the platform slide from being moved, while in the down or released position it allows free adjustment of the slide. To adjust the clamp, proceed as follows:

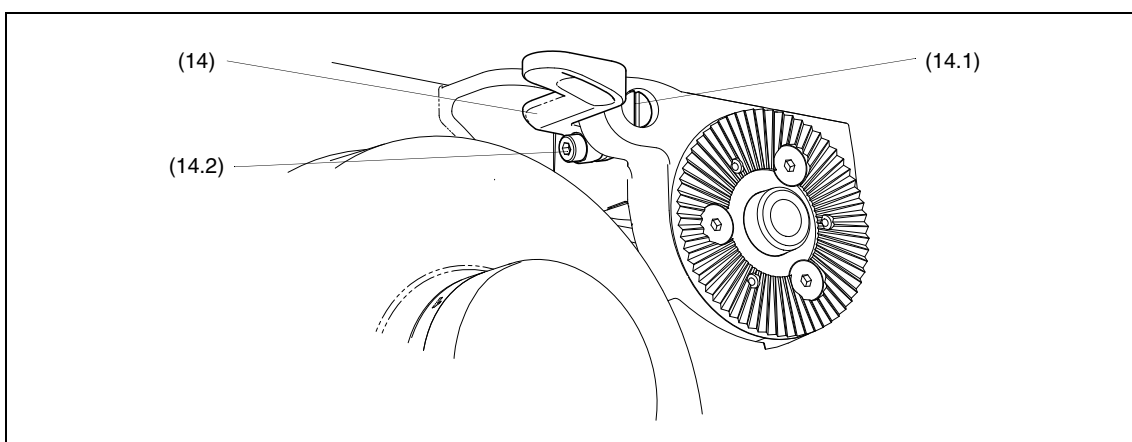
Pull the slide clamp lever (14) fully upwards.

Slacken the clamp screw (14.2).

Turn the slotted shaft (14.1) fully clockwise to apply the clamp.

Tighten the clamp screw (14.2).

Move the lever over its full range and ensure that, in the clamped position, it prevents the slide from being moved, while in the released position it allows free adjustment of the slide. Re-adjust if necessary.



**Fig 5 Platform Side Clamp Adjustment**

## Brake and drag control knob adjustment

The pan and tilt brake and drag controls may require adjustment after prolonged use. These adjustments should be carried out by competent persons as detailed in the Maintenance Manual. The Maintenance Manual may be obtained from Vinten Broadcast Limited or your local Vinten distributor or from our website at [www.vinten.com](http://www.vinten.com).



[Back](#)

---

## Parts List

The following list includes the main assemblies, user-replaceable spare parts and optional accessories. For further information regarding repair or spare parts, please contact Vinten Broadcast Limited or your local distributor.

For information on-line, visit our website at

**[www.vinten.com](http://www.vinten.com)**

### **Main assemblies**

Vector 90 pan and tilt head	V3998-0001
Wedge adaptor	3389-3
Standard wedge plate	3053-3
Short wedge plate	3391-3
Telescopic pan bar and clamp	3219-82
Fixed pan bar and clamp	3219-94
Short fixed pan bar and clamp	3219-93
Fixing bolt	L054-714
Washer - for fixing bolt	L602-122
Spanner - for fixing bolts	J551-001

### **User-replaceable spare parts**

Battery - 9V, 6LR61 (PP3, 6AM6, MN1604, E-BLOCK or equivalent)	C550-023
--	----------

### **Optional accessories**

Heavy-duty Quickfix adaptor	3490-3
Levelling adaptor Quickfix to 4-bolt flat base	3328-30
Lightweight Mitchell adaptor	3103-3
Heavy-duty Mitchell adaptor - for Vinten pedestal mounting in conjunction with Hi-hat adaptor Part No. 3055-3	3724-3