

Vision blue Pan and Tilt Head

V4092-0001



EN

Operators Guide
V4092-4980/1

Vinten

Vision blue

Pan & Tilt Head

Vinten 100 Years of Innovation

Vision blue pan and tilt head

Publication Part No.V4092-4980
Issue 1
August 2010

Published by

Vitec Group Videocom Division
Technical Publications Department
William Vinten Building
Western Way
Bury St Edmunds
Suffolk IP33 3TB
UK
Email: technical.publications@vitecgroup.com

Copyright © Vitec Group plc 2010

All rights reserved throughout the world. No part of this document may be stored in a retrieval system, transmitted, copied or reproduced in any way, including, but not limited to, photocopy, photograph, magnetic or other record without the prior agreement and permission in writing of Vitec Group plc.

Trademark Acknowledgements

Vinten® and Vision® are registered trademarks of Vitec Group plc.

Disclaimer

Camera Dynamics Limited reserves the right, without notice, to revise this documentation and make changes in content from time to time without obligation to provide notification of such revision or change. Revised documentation may be obtainable from Vinten or downloadable from the website (www.vinten.com). Camera Dynamics Limited reserves the right, without notice, to make changes in equipment design or performance as progress in engineering, manufacturing or technology may warrant.

Safety - read this first

Understanding these instructions

English



The original instructions presented in this operators guide were written in English, and subsequently translated into other languages. If you are unable to understand these instructions, contact Vinten or your distributor to obtain a translation of the original instructions (EU Countries).

БЪЛГАРСКИ



Оригиналните инструкции, представени в настоящото ръководство на производителя, бяха написани на английски език, а след това - преведени на други езици. Ако не разбирате тези езици, свържете се с Vinten или с Вашия дистрибутор, за да получите оригиналните инструкции (за страните от Европейския съюз).

Česky



Pokyny uvedené v této operátorské příručce byly původně napsány anglicky a následně byly přeloženy do ostatních jazyků. Nerozumíte-li těmto pokynům, kontaktujte společnost Vinten nebo svého distributora, abyste získali překlad originálních pokynů (členské státy EU).

Danish



De originale instruktioner, der præsenteres i denne betjeningsvejledning, er skrevet på engelsk og derefter oversat til andre sprog. Hvis du ikke forstår disse instruktioner bedes du kontakte Vinten eller vor forhandler for at få en oversættelse af de originale instruktioner (EU-lande).

Deutsch



Die Originalanleitung in diesem Bedienungshandbuch wurde auf Englisch verfasst und anschließend in andere Sprachen übersetzt. Bei Verständnisproblemen in einer der übersetzten Sprachen kontaktieren Sie bitte Vinten oder Ihren Fachhändler; dort erhalten Sie eine Übersetzung der ursprünglichen Anleitung (EU-Staaten).

Eesti



Käesoleva kasutajajuhendi algtekst on koostatud inglise keeles ning seejärel tõlgitud teistesse keeltesse. Kui juhend osutub teie jaoks arusaamatuks, võtke juhendi emakeelse tõlke hankimiseks ühendust Vinteni või kohaliku esindajaga (Euroopa Liidu riigid).

Ελληνικά



Οι αρχικές οδηγίες αυτού του οδηγού για το χειριστή συντάχθηκαν στα Αγγλικά και μεταφράστηκαν στη συνέχεια σε άλλες γλώσσες. Εάν δυσκολεύεστε να καταλάβετε αυτές τις οδηγίες, επικοινωνήστε με τη Vinten ή το διανομέα σας για να λάβετε μια μετάφραση των αρχικών οδηγιών (Χώρες ΕΕ).

Español



Las instrucciones originales que se indican en esta guía del operador se han redactado en inglés y posteriormente se han traducido a otros idiomas. Si no entiende estas instrucciones, póngase en contacto con Vinten o con su distribuidor para obtener una traducción de las instrucciones originales (para países de la UE).

Français



Les instructions originales présentées dans ce guide d'utilisation ont été écrites en anglais puis traduites dans d'autres langues. Si vous ne comprenez pas ces instructions, contactez Vinten ou votre revendeur pour obtenir une traduction des instructions originales (pour les pays de l'UE).

Gaeilge



Scríobhadh na treoracha bunaidh don treoirleabhar oibrítheora seo as Béarla, agus aistríodh iad go teangacha eile ina dhiaidh sin. Mura bhfuil tú in ann na treoracha seo a thuiscint, téigh i dteagmháil le Vinten nó le do dháileoir, chun aistriúchán de na treoracha bunaidh a fháil (Tiortha an AE).

Italiano



Le istruzioni originali presentate in questa guida per l'operatore sono in lingua inglese e successivamente tradotte nelle altre lingue. Qualora le istruzioni non fossero disponibili nella lingua desiderata, potete contattare Vinten o il vostro distributore per ricevere la traduzione delle istruzioni originali (Paesi UE).

Vision blue pan and tilt head

Latviešu



Šajā operatora rokasgrāmatā iekļautie norādījumi sākotnēji tika sarakstīti angļu valodā un pēc tam pārtulkoti citās valodās. Ja nesaprotat šos norādījumus svešvalodā, sazinieties ar Vinten vai tirgotāju, lai saņemtu norādījumu tulkojumu (kāda no ES dalībvalstu valodām).

Lietuvių



Šiame operatoriaus vadove pristatomos pirminės instrukcijos parašytos angļu kalba ir vēlāu išverstos į kitas kalbas. Jei šių instrukcijų nesuprantate, susisiekite su „Vinten“ arba savo platintoju ir gaukite pirminių instrukcijų vertimą (ES šalies kalba).

Magyar



A kezelői útmutatóban található utasítások angol nyelven íródtak, és utólag fordították azokat más nyelvekre. Ha nem érti ezen utasításokat, kérjük, vegye fel a kapcsolatot a Vintennel vagy a helyi képviselővel, és igényelje az eredeti utasítások fordítását (EU országok).

Malti



L-istruzzjonijiet originali ipprezentati f'din il-gwida ta' operaturi kienu miktuba bi-Ingliż, u sussegwentement maqluba fl-lingwi oħra. Jekk ma tistax tifhem dawn l-istruzzjonijiet, ikkuntattja lil Vinten jew id-distributur tiegħek biex tikseb traduzzjoni ta' l-istruzzjonijiet originali (Pajjiżi ta' UE).

Nederlands



De oorspronkelijke instructies in deze bedieningshandleiding zijn geschreven in het Engels en vervolgens in andere talen vertaald. Als het onmogelijk is deze instructies te begrijpen, neemt u contact op met Vinten of met uw distributeur om een vertaling te bemachtigen van de oorspronkelijke instructies (EG-landen).

Polski



Oryginalne instrukcje zamieszczone w niniejszym podręczniku operatora zostały napisane w języku angielskim, a następnie przetłumaczone na inne języki. Jeśli nie rozumieją Państwo tych instrukcji, prosimy skontaktować się z siedzibą lub dystrybutorem Vinten, aby uzyskać tłumaczenie oryginalnych instrukcji (kraje UE).

Português



As instruções originais apresentadas no guia do operador foram escritas em Inglês e traduzidas para outros idiomas. Se não conseguir compreender estas instruções contacte a Vinten ou o seu distribuidor para obter a tradução das instruções originais (Países da UE).

Română



Instrucțiunile originale prezentate în acest ghid pentru operatori au fost scrise în limba engleză, și traduse ulterior în alte limbi. În cazul în care nu înțelegeți aceste instrucțiuni, contactați Vinten sau distribuitorul dumneavoastră pentru a obține o traducere a instrucțiunilor originale (Țările UE).

Slovensky



Pôvodné pokyny, uvedené v tomto návode na obsluhu, boli napísané v angličtine a následne preložené do iných jazykov. Ak nerozumiete týmto pokynom, obráťte sa na spoločnosť Vinten alebo vášho distribútora, aby vám zaslal preklad originálnych pokynov (krajiný EU).

Slovenščina



Originalno besedilo teh navodil za uporabo je bilo napisano v angleščini in prevedeno v ostale jezike. Če ne razumete teh navodil, se obrnite na podjetje Vinten ali lokalnega zastopnika, ki vam bo posredoval originalna navodila (velja za dr_ave EU).

Suomi



Tähän käyttäjän oppaaseen sisältyvät ohjeet on kirjoitettu alun perin englanniksi ja käännetty sitten muille kielille. Ellei ymmärrä näitä ohjeita, ota yhteyttä Vinteniin tai jälleenmyyjään ja pyydä alkuperäisten ohjeiden käännöstä (EU-maat).

Svenska



Instruktionerna i denna handbok skrivs ursprungligen på engelska och har sedan översatts till flera språk. Om du inte förstår dessa instruktioner, kontakta Vinten eller din återförsäljare för en ny översättning av originalinstruktionerna (EU-länder).

Warning symbols in this Operators Guide



Where there is a risk of personal injury or injury to others, comments appear highlighted by the word **WARNING!**—supported by the warning triangle symbol.

Where there is a risk of damage to the product, associated equipment, process or surroundings, comments appear highlighted by the word **CAUTION!**

Usage

The Vision blue pan and tilt head is designed for use by professional camera operators to support and balance high performance lightweight cameras and ancillary equipment weighing up to 5 kg (11.1 lb.).

The Vision blue pan and tilt head must be mounted onto a suitable tripod designed to support the head, camera and accessories.



Warning!

- 1. Do NOT attempt to use this product if you do not understand how to operate it.**
 - 2. Do NOT use this product for any other purpose than that specified in this Usage statement.**
 - 3. Maintenance beyond that detailed in this Operators Guide must be performed only by competent personnel.**
-
-

Disposal of waste batteries

Any batteries included with this product must not be treated as household waste. By ensuring these batteries are disposed of correctly, you will help prevent potentially negative consequences for the environment and human health, and help conserve natural resources. Please view the section on how to remove the batteries from the product safely. Hand the batteries over to the applicable collection point for recycling waste batteries.

Vision blue pan and tilt head

Technical specification

Weight, including pan bar, camera plate & bowl clamp	2.4 kg (5.3 lb)
Height to mounting face	12.1 cm (4.76 in.)
Length	12.9 cm (5.08 in.)
Width	14.8 cm (5.83 in.)
Capacity range @ 55 mm C of G - See balance chart (Fig. 3).	2.1–5.0 kg (4.6–11 lb)
Tilt range.	±90°
Pan range	360°
Tripod fixing	75 mm ball

Contents

Safety - read this first	3
Technical specification	6
Contents	7
Components	8
Introduction and description	10
Balance	10
Illuminated level bubble	11
Pan and Tilt drag	11
Pan and Tilt brakes	11
Pan bar	11
Camera mounting	11
Operation	12
Fitting the pan bar	12
Installing the head on a tripod	12
Mounting the camera	12
Balancing the head	13
Operating the pan and tilt brakes	14
Operating the pan and tilt drag	15
Maintenance	16
General	17
Cleaning	16
Routine maintenance	16
Battery replacement	16
Brake knob and drag control knob adjustment	17
Parts list	18

Components

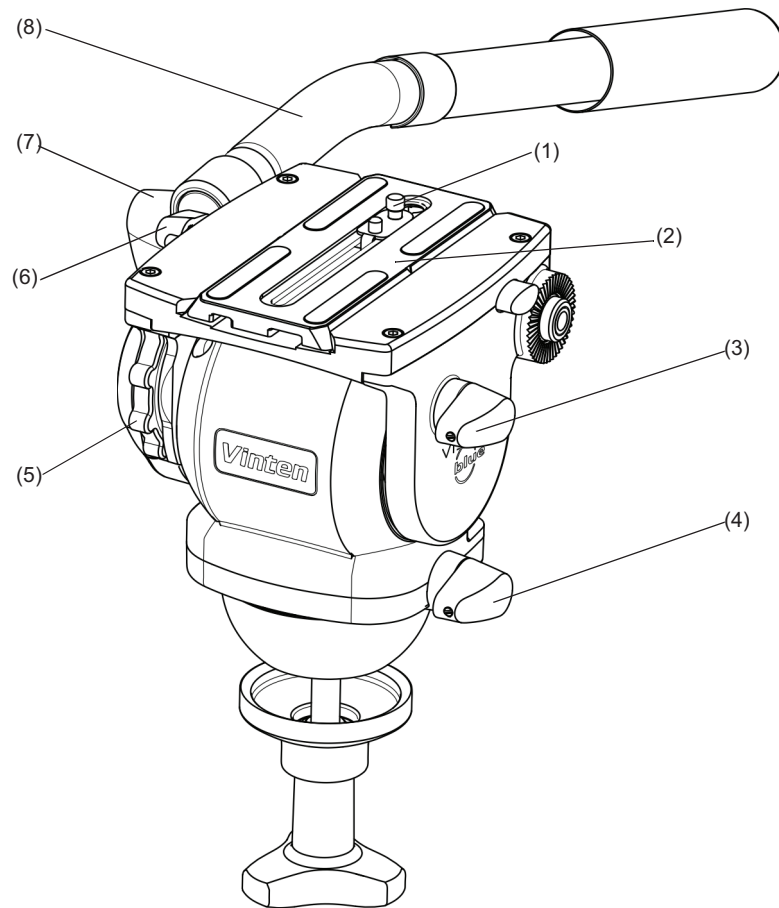


Fig. 1 Vision blue pan and tilt head (front and left-hand side)

- (1)..... 1/4 in. screw and pin assembly
- (2)..... Slide plate
- (3)..... Tilt brake lever
- (4)..... Pan brake lever
- (5)..... Tilt drag adjustment knob
- (6)..... Slide plate clamp
- (7)..... Pan bar clamp
- (8)..... Pan bar

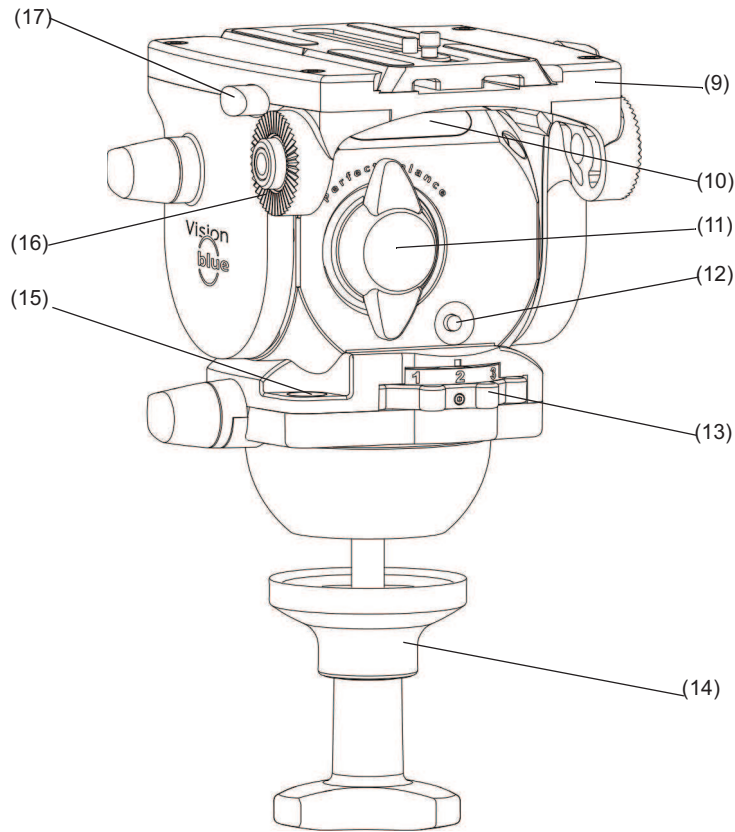


Fig. 2 Vision blue pan and tilt head (left-hand side)

- (9)..... Platform
- (10)..... Battery compartment
- (11)..... Perfect Balance knob
- (12)..... Push button for illuminated level bubble
- (13)..... Pan drag adjustment knob
- (14)..... Bowl clamp
- (15)..... Illuminated level bubble
- (16)..... Pan bar mount
- (17)..... Slide lock release

Introduction and description

The Vision blue pan and tilt head has been designed to support and perfectly balance a range of professional digital video cameras. The head embodies an adjustable spring counter balancing mechanism, LF drag assemblies for pan and tilt motions and an adjustable camera mounting plate with 1/4 in. screw and pin assembly. The placement of the pan and tilt brakes, drag controls and counterbalance allows the operator to easily adjust the settings whilst operating the camera.

Balance

The balance system is easily adjusted using the Perfect Balance knob (10) located on the rear of the head. The head supports payloads weighing between 2.1 to 5.0 Kg (4.6–11 lb). Maximum and minimum payloads that can be balanced and tilt ranges are dependent on the weight of the camera, accessories and on the Centre of Gravity (C of G) height. The counterbalance chart (Fig. 3) shows the range of load and C of G height that can be maintained in balance. The shaded area of the chart corresponds to those load/C of G combinations that can be balanced over the full tilt range. The areas to the right indicate the progressively reducing tilt range with greater load and higher C of G. Where a load/C of G combination falls outside of the chart it will be necessary to increase or decrease the weight or the C of G height—if possible—to enable the head to balance the load.

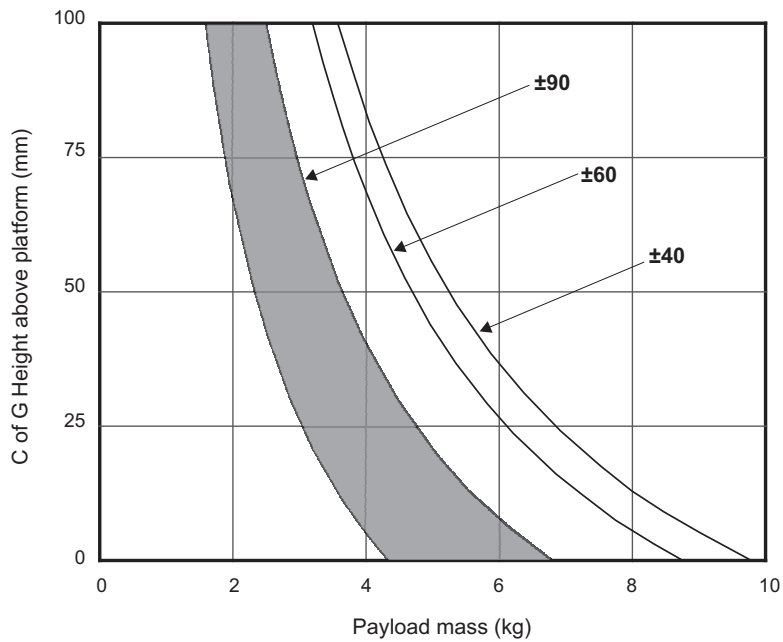


Fig. 3 Counterbalance chart

Illuminated level bubble

Levelling the head is achieved using the level bubble (15) that can be illuminated when setting up at locations with low lighting levels. In situations of low light, the level bubble can be illuminated by pressing the push button (12). The bubble will be illuminated for 15 seconds. The battery for the illuminated bubble is contained within a battery compartment (10) located under the platform.

Pan and Tilt drag

Both pan and tilt mechanisms incorporate the patented Vinten lubricated friction (LF) system to ensure smooth movement of the camera about these axes. The pan and tilt drag is adjusted using the pan drag adjustment knob (13) and tilt drag adjustment knob (5). The whip-pan facility is unaffected by the pan drag setting.

Pan and Tilt brakes

Both pan and tilt brakes allow each axis on the head to be locked at any chosen position. The pan brake lever (4) and tilt brake lever (3) are located on the left-hand side of the head.

Pan bar

Pan bar mounting points (16) are located at the rear of the head on either side of the camera mounting platform. The pan bar (8) is attached using a pan bar clamp (7), with angular adjustment available on the mount serrations. A fixed pan bar is supplied with an option to fit another pan bar if required.

Camera mounting

The camera is attached to the head using a slide plate (2) that is attached to the camera and then loaded from the rear of the platform (9) and secured in position by the slide plate clamp (6). The clamp prevents inadvertent removal of the camera from the head. The slide plate (2) is supplied with a 1/4 in. screw and pin assembly (1) to suit most lightweight digital video cameras.

Vision blue pan and tilt head

Operation

Fitting the pan bar

A single pan bar is supplied and is fitted to either the right or left-hand side of the head onto the pan bar mounting (16).

To fit the pan bar:

Position the pan bar (8) onto the pan bar mounting (16).

Rotate the pan bar clamp (7) in a clockwise direction until the pan bar is secured.

A second pan bar can be fitted to the other side of the head if required.

Installing the head on a tripod

The Vision blue pan and tilt head is supplied with an integral 75 mm ball mount, designed for installation on a compatible Vinten Vision tripod. Adaptors are available which enable the head to be installed on tripods fitted with other mountings.

To install the head onto the tripod:

Remove the bowl clamp assembly (14) from the head by turning the assembly in a counter-clockwise direction.

Position the head on the tripod, carefully lowering the head into the tripod bowl.

Using the pan bar to steady the head, refit the bowl clamp assembly (14) from below the tripod bowl, turning the bowl clamp assembly (14) in an clockwise direction until the head is held in position.

Apply the pan brake (4) and tilt brake (3) by turning the levers in a clockwise direction.

CAUTION! DO NOT use force on the brake levers. Hand tighten only.

Level the head using the level bubble (15) and once level, tighten the bowl clamp assembly (14) to secure the head in position. When attempting to level the head in situations where there is low light, the level bubble can be illuminated by pressing the push button (12) located on the rear of the head beneath the Perfect Balance knob (11). The light will extinguish after approximately 15 seconds.

Mounting the camera

The head is supplied with a camera slide plate (2) fitted with a 1/4 in. pin assembly (1), comprising a locating pin on a plate and a 1/4 in. camera mounting screw.

To mount the camera onto the head:

Remove the slide plate (2) from the head. Release the slide plate clamp (6) and press the slide lock release (17), then slide the plate out to the rear of the platform (9).

Attach the slide plate (2) to the camera or camera mounting plate under the approximate centre of the camera's weight using the 1/4 in. screw and pin assembly (1).

Set the platform (9) level and apply both the pan and tilt brakes (4, 3).

CAUTION! DO NOT use force on the pan and tilt brake levers. Hand tighten only.

Lower the camera onto the rear of the platform (9) and slide the plate into the track in the platform (9), ensuring the slide lock release (17) snaps into position.

Using the pan bar (8) to steady the camera, tighten the slide plate clamp (6) in a clockwise direction to secure the camera in position.

Balancing the head

A perfectly balanced head allows operators to control camera movement with the minimal amount of effort. Once balanced, the head and its payload can be set to any tilt position and remain at that position, allowing operators to work hands-free.

The counterbalance chart (Fig. 3) illustrates the relationship between load and camera Centre of Gravity (C of G) height for the head. The chart can be used to ascertain the suitability of the head for any given combination of camera, lens and accessories. The shaded area of chart corresponds to those load/C of G combinations that can be balanced over the full tilt range. The areas to the right indicate the progressively reducing tilt range with greater load and higher C of G. Where a load/C of G combination falls outside of the chart it will be necessary to increase or decrease the weight or the C of G height to enable the head to balance the load.

Before balancing the head, ensure that the camera and lens, pan bar and all ancillary equipment has been fitted. The head must be balanced whenever the camera and/or lens is changed, or when ancillary equipment is added or removed.



Warning!

- 1. Do NOT exceed the maximum capacity of either the head or the tripod. The system will become unstable and may fail.**
 - 2. Always support the camera payload when adjusting the Perfect Balance knob (10) to prevent it falling away suddenly.**
 - 3. Keep hands clear of the moving platform to avoid trapping fingers.**
-

To check camera balance:



Warning!

Steady the camera payload using the pan bar. Be prepared to prevent the head falling away suddenly.

Reduce tilt drag to a minimum level by turning by turning the tilt adjustment drag knob (5) counter-clockwise. Reduce the counterbalance to a minimum level by turning the Perfect Balance knob (11) in clockwise direction.

Hold the pan bar (8) to steady the camera payload. Release the tilt brake (3).

Vision blue pan and tilt head

Tilt the head backwards and forwards to determine if the camera position is equally balanced in both directions. The camera and payload must be positioned over the centre of gravity.

If the camera's C of G is not positioned over the head's C of G, set the platform level and apply the tilt brake (3). Position the camera correctly on the head by releasing the slide plate clamp (6) and then sliding the camera on the camera slide plate (2), backwards or forwards until it balances horizontally. Tighten the slide plate clamp (6) to secure the camera in position. Re-check and adjust as necessary.



Warning!

Securely apply the slide plate clamp (6) when the camera is positioned, to prevent the camera payload slipping.

Using the pan bar (8), tilt the head backwards and forwards. Turn the Perfect Balance knob (11) clockwise until the camera remains in position and does not fall away when the head is tilted and then released (hands-free).

Repeat the setup until perfect balance is achieved, when the camera remains set at any angle from +90° to -90° without falling away or springing back.

NOTE: Maximum tilt angle is less than 90° for heavy payloads with a high C of G - refer to the counterbalance chart (Fig. 3).

Apply the tilt brake (3) when balance is achieved to prevent the camera from moving accidentally when not in use.

Operating the pan and tilt brakes

Friction brakes on each axis allow the head to be locked at any chosen position. The operating levers for the pan brake (4) and tilt brake (3) are fitted at the left-hand side of the head.

CAUTION! DO NOT use the brakes to supplement drag, the head may be damaged. When the brakes are not in use, always ensure they are fully released.

To apply the brake:

Turn the brake lever fully clockwise.

CAUTION! DO NOT use force on the brake levers. Hand tighten only.

To release the brake:

Turn the brake lever fully counter-clockwise

Operating the pan and tilt drag

Both the pan and tilt mechanisms incorporate the Vinten LF system to ensure smooth movement of the camera about these axes. The tilt drag adjustment knob (5) is located on the right-hand side of the head and the pan drag adjustment knob (13) is located at the back of the head, beneath the platform (9).

NOTE: The whip-pan facility is not affected by the pan drag setting.

CAUTION! Reduce drag to a minimum when the head is out of use for long periods, to minimize wear on drag components.

Both drag adjustment knobs are provided with graduated scales. To increase drag, turn the knob towards a higher graduation. To decrease drag, turn the knob towards a lower graduation.

Maintenance

General

Vinten products are robustly made to high engineering standards and little attention is required to maintain serviceability save regular cleaning. Attention to the following points will ensure a long and useful service life with minimum need for repair.

Cleaning

During indoor use, the only cleaning required should be a regular wipe over with a lint-free cloth. Dirt accumulated during storage may be removed using a semi-stiff brush. Particular attention should be paid to the ball mounting face of the head, the space between the tilting assembly and the base and the mounting bowl of the tripod.

Use out-of-doors under adverse conditions will require special attention. Salt spray should be washed off with fresh water at the earliest opportunity. Sand and dirt acts as an abrasive and should be removed using a semi-stiff brush or vacuum cleaner.

CAUTION! DO NOT use solvent or oil-based cleaners, abrasives or wire brushes to remove accumulations of dirt, as these damage the protective surfaces. Use only detergent-based cleaners.

Routine maintenance

During use, check the following:

- Check the illumination of the level bubble. Replace battery if necessary.
- Check the effectiveness of the pan and tilt drag controls. Reset as necessary.
- Check the effectiveness of the pan and tilt brakes. Reset as necessary.

No further routine maintenance is required.

Battery replacement

The battery illuminates the level bubble (14) when the push button (11) is pressed. The battery should be replaced yearly or whenever the illumination is considered inadequate.



Warning!
If a payload is not fitted to the head, turn the Perfect Balance knob (10) fully counter-clockwise to reduce the balancing force before tilting the head forwards.

To replace the battery:

- Tilt the head forwards to allow access to the battery compartment (10) and apply the tilt brake (3).
- Using a thin-bladed screwdriver or similar tool, prise off the battery cover (10.1).

Pull the battery (10.2) out of the battery compartment (10).

Push the replacement battery into the battery compartment, observing the correct polarity.

CAUTION! Use plastic tweezers when handling the battery. Avoid shortening the battery by holding it by the circumference edge.

Refit the battery cover (10.1).

CAUTION! DO NOT use force on the battery compartment. Ensure that the compartment is correctly aligned with the fittings inside the head.

Press the push button (12) and ensure that the level bubble (15) is lit for approximately 15 seconds.

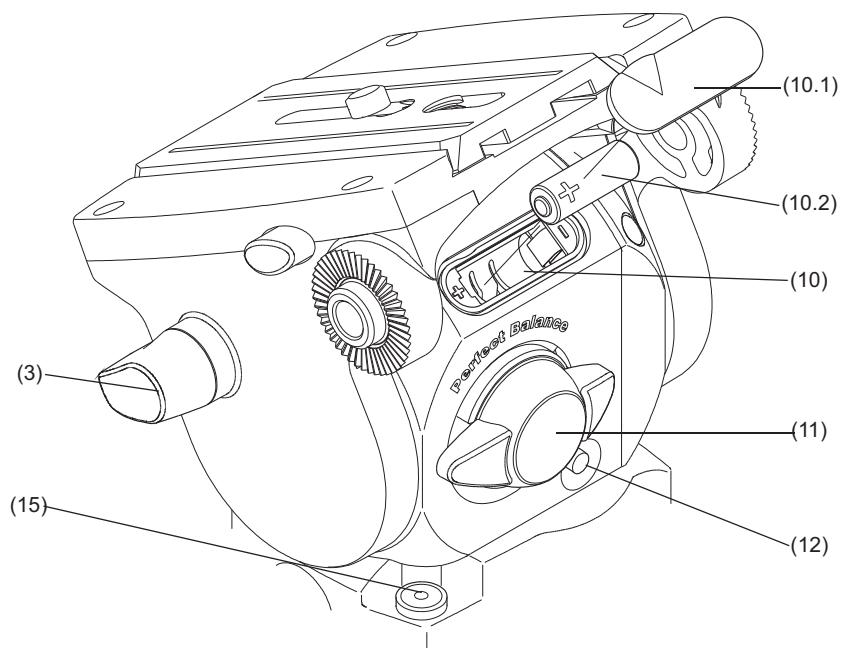


Fig. 4 Replacing the battery

Brake knob and drag control knob adjustment

The pan and tilt brakes (3, 4) and drag adjustment knobs (5, 13) may require adjustment after prolonged use. These adjustments should be carried out by competent persons only. Contact Vinten or your local Vinten distributor for servicing of the Vision blue pan and tilt head.

Vision blue pan and tilt head

Parts list

The following lists include main assemblies, user-replaceable spare parts and optional accessories. For further information regarding repair or spare parts, please contact Vinten or your local distributor. For information online, visit our website at www.vinten.com.

Main assemblies

Vision blue pan and tilt head	V4092-0001
Bowl clamp knob assembly	3330-30
Pan bar and clamp	3219-110

User-replaceable spare parts

Brake knob spares kit	3431-900SP
1/4 in. pin adaptor	V4045-1006
Camera mounting slide plate spares kit, containing:	V4043-1901
1 off Camera slide plate	
2 off 3/8 in. camera screws	
1 off 1/4 in. screw and pin assembly	

Optional accessories

Pozi Loc two stage tripod	3819-3
Spreader	3363-3
Mid-level spreader	V4032-0001
Set of three feet (for use with mid-level spreaders)	3378-902SP
Tripod carrying strap	3425-3P
75 mm ball to 100 mm bowl adaptor	U005-159
Soft case	3358-3

Vision blue Pan and Tilt Head

V4092-0001

CHINA

The Vitec Group plc China
Rm 706, Tower B
Derun Building
YongAn Dongli A No. 8
Jianwai Ave, Chaoyang District
Beijing, China 100022
Tel. +86 10 8528 8748
Fax. +86 10 8528 8749

FRANCE

Vitec Group Videocom Division
171 Avenue des Grésillons
92635 GENNEVILLIERS Cedex
France
Tel. +33 820 821 336
Fax. +33 825 826 181

GERMANY

Vitec Group Videocom Division
Gebäude 16
Planiger Straße 34
55543 Bad Kreuznach
Germany
Tel. +49 671/483 43 30
Fax. +49 671/483 43 50

Vitec Group Videocom Division
Erfurter Straße 16
85386 Eching
Germany
Tel. +49 89/321 58 200
Fax. +49 89/321 58 227

JAPAN

Vinten Japan KK
P.A. Bldg. 5F
3-12-6 Aobadai
Meguro-ku Tokyo 153-0042
Japan
Tel. +81 3 5456 4155
Fax. +81 3 5456 4156

SINGAPORE

Vitec Group Videocom Division
6 New Industrial Road
#02-02 Hoe Huat Industrial Building
Singapore 536199
Tel. +65 6297 5776
Fax. +65 6297 5778

UK

Vitec Group Videocom Division
William Vinten Building
Western Way
Bury St Edmunds
Suffolk IP33 3TB
Tel. +44 1284 752 121
Fax. +44 1284 750 560
Sales Fax. +44 1284 757 929

USA

Vitec Group Videocom Division
709 Executive Blvd
Valley Cottage
NY 10989
USA
Tel. +1 845 268 0100
Fax. +1 845 268 0113
Toll Free Sales: +1 888 2 Vinten

for more information, visit
www.vinten.com

Operators Guide

V4092-4980/1



 Vinten®
A Vitec Group brand

Vinten