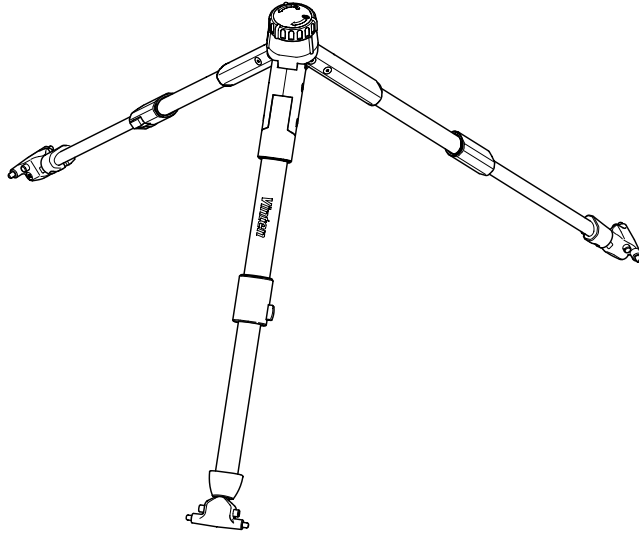
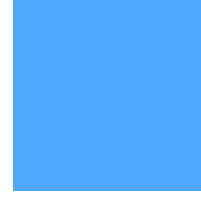


Operators Guide

Spread-Loc



Spreader

Vision Spread-Loc Spreader

Publication Part No. 3781-8 Issue 3

Copyright © Vinten Broadcast Limited 2004

All rights reserved throughout the world. No part of this document may be stored in a retrieval system, transmitted, copied or reproduced in any way including, but not limited to, photocopy, photograph, magnetic or other record without the prior agreement and permission in writing of
Vinten Broadcast Limited.

Vinten and Vision are registered trademarks of Vinten Broadcast Limited.

Safety - read this first

Warning Symbols in this Operators Guide



Where there is a risk of personal injury, injury to others, or damage to the spreader or associated equipment, comments appear, highlighted by the word **WARNING!** and supported by the warning triangle symbol.

Technical information

Weight	0.95 kg (2 lb)
Maximum spreader radius	485 mm (19.1 in.)

Further information

For full details on maintenance and spare parts, please refer to Vision Spreaders, Dollies & Skids - Spares and Repairs (Publication Part No. 3313-9) This is obtainable from Vinten Broadcast Limited or your local Vinten distributor. For information on-line, visit our website at

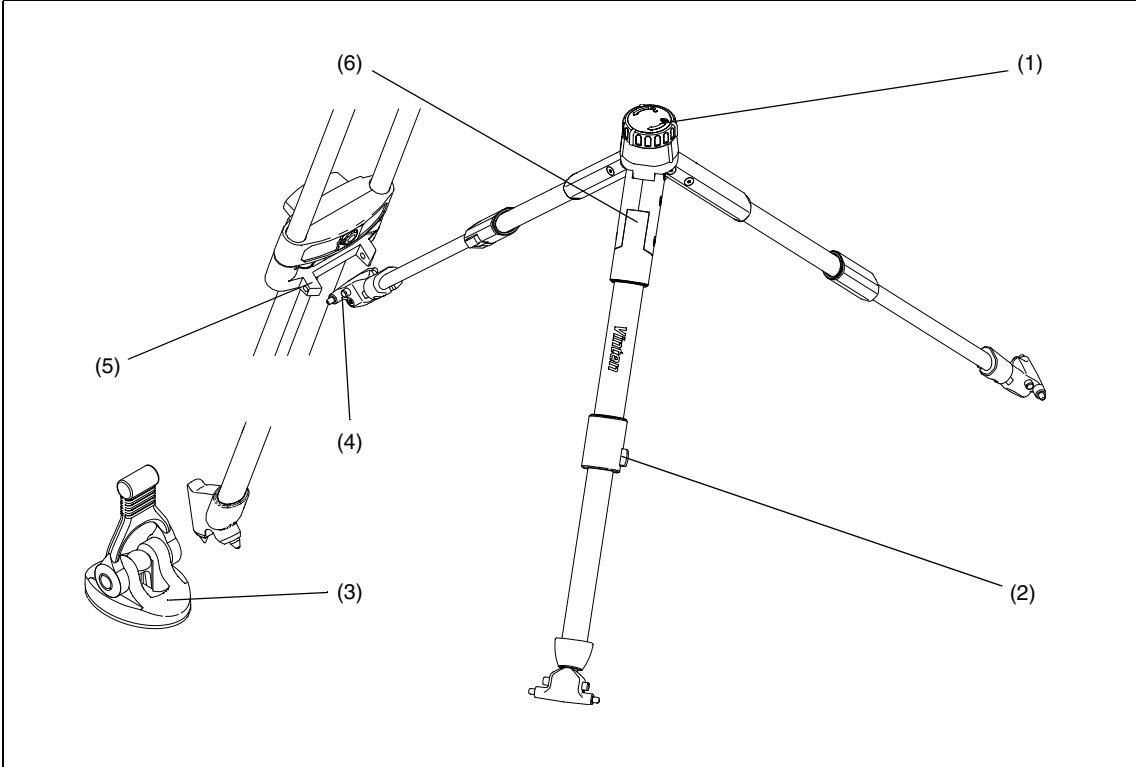
www.vinten.com.

Contents

	Page
Safety - read this first	3
Technical information	3
Further information	3
Introduction	6
Operation	
Installing the spreader	7
Adjusting the spreader	7
Overload clutch	8
Parts list	9

Associated Publications

Spreaders, Dollies and Skids - Spares and Repairs
Publication Part No. 3313-9



Vision Spread-Loc Spreader

- | | |
|-----|------------------------------|
| (1) | Spread lock knob |
| (2) | Extension release button |
| (3) | Foot |
| (4) | Attachment release button |
| (5) | Spread-Loc attachment points |
| (6) | Overload clutch |

Introduction

The Vision Spread-Loc is a fully-adjustable, geared mid-level spreader, controlled by a single lock knob (1). In addition, the arms are extendable from 335 mm (13.2 in.) to 485 mm (19.1 in.). An overload clutch (6) is provided in one leg to prevent damage in the event of excessive downward pressure on the spreader.

The Spread-Loc spreader may be installed on any tripod provided with Spread-Loc attachment points (4) and is supplied with a set of three feet (3).

Operation

Installing the spreader

The Spread-Loc spreader may be installed on any tripod provided with Spread-Loc attachment points (4).

To install the spreader:

Grip the ends of each arm in turn between thumb and fore-finger and press in the attachment release buttons (3).

Push the arm into the tripod attachment (4) until the release engages.



WARNING! Ensure the release engages fully. If it does not, remove the spreader and ensure the holes in the attachment points are free from obstruction. If the problem persists, contact Vinten Broadcast Limited or your local Vinten distributor.

Adjusting the spreader

There are two controls on the Spread-Loc spreader:

Spread lock knob (1).

Extension release buttons (2).

Spread lock knob

The spread lock knob (1) locks the spreader in position.

To set the spreader, deploy the tripod to the required height and turn the knob clockwise.

Turn the knob counter-clockwise to release the spreader.



WARNING! Always release the spreader before folding the tripod. If the tripod is folded with the knob in the locked position an override clutch will operate. This should be regarded as an emergency fail-safe device. The spread lock knob should always be released before folding the tripod to facilitate redeployment.

Extension release buttons

Extension release buttons (2) are fitted on each arm of the spreader. When pressed they allow the arms to extend over a range of 150 mm (5.9 in.). This facility is particularly useful when the tripod is in use on uneven ground.

The arms are retracted simply by pushing them in

NOTE: It is not necessary to retract the arms prior to folding the tripod, but it is recommended that they are retracted to ease folding.

Overload clutch

An overload clutch (6) is provided in one leg to prevent damage in the event of excessive downward pressure on the spreader.

If the clutch operates, pull the arm upwards until it resets, at the same time pushing firmly downwards on the corresponding tripod leg

Parts list

The following lists include main assemblies and optional accessories. For further information regarding repair or spare parts, please contact Vinten Broadcast Ltd or your local distributor.

For information on-line, visit our website at

www.vinten.com

Vision Spread-Loc spreader, complete with set of three feet	3781-3
Vision Spread-Loc spreader	3781-5
Set of three feet	3378-902SP