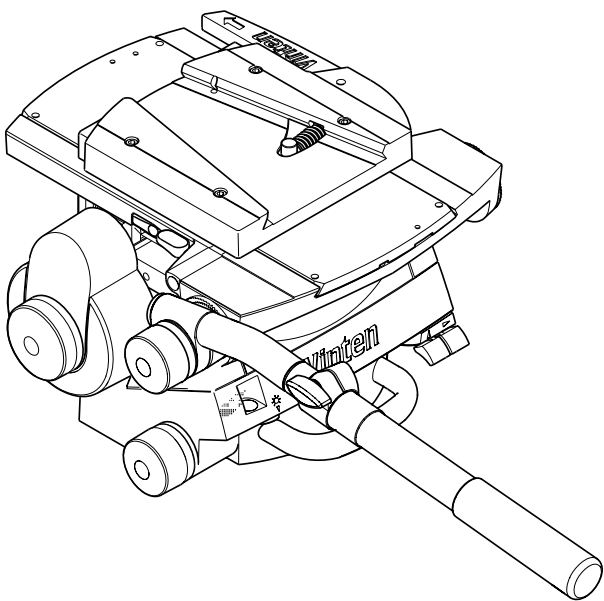


Operators Guide

Vector 750



Pan and Tilt Head

Vinten
Camera Control Solutions



[Back](#)

Vector 750

Pan and Tilt Head

Publication Part No. V4034-4980
Issue 1 (February 2008)

Copyright © Vitec Group plc 2008

All rights reserved throughout the world. No part of this document may be stored in a retrieval system, transmitted, copied or reproduced in any way including, but not limited to, photocopy, photograph, magnetic or other record without the prior agreement and permission in writing of Vitec Group plc.

Vinten®, Vector® and Quickfix® are registered trademarks of Vitec Group plc.

Printed in Great Britain by DPS, Newmarket, Suffolk.



Back

Understanding these instructions

English

- (EN)** The original instructions presented in this operators guide were written in English, and subsequently translated into other languages. If you are unable to understand these instructions, contact Vinten or your distributor to obtain a translation of the original instructions (EU Countries).

БЪЛГАРСКИ

- (BG)** Оригиналните инструкции, представени в настоящото ръководство на производителя, бяха написани на английски език, а след това - преведени на други езици. Ако не разбирате тези езици, свържете се с Vinten или с Вашия дистрибутор, за да получите оригиналните инструкции (за страните от Европейския съюз).

Česky

- (CS)** Pokyny uvedené v této operátorské příručce byly původně napsány anglicky a následně byly přeloženy do ostatních jazyků. Nerozumíte-li těmto pokynům, kontaktujte společnost Vinten nebo svého distributora, abyste získali překlad originálních pokynů (členské státy EU).

Danish

- (DA)** De originale instruktioner, der præsenteres i denne betjeningsvejledning, er skrevet på engelsk og derefter oversat til andre sprog. Hvis du ikke forstår disse instruktioner bedes du kontakte Vinten eller vor forhandler for at få en oversættelse af de originale instruktioner (EU-lande).

Deutsch

- (DE)** Die Originalanleitung in diesem Bedienungshandbuch wurde auf Englisch verfasst und anschließend in andere Sprachen übersetzt. Bei Verständnisproblemen in einer der übersetzten Sprachen kontaktieren Sie bitte Vinten oder Ihren Fachhändler; dort erhalten Sie eine Übersetzung der ursprünglichen Anleitung (EU-Staaten).

Eesti

- (ET)** Käesoleva kasutajjuhendi algtekst on koostatud inglise keeles ning seejärel tõlgitud teistesse keeltesse. Kui juhend osutub teie jaoks arusaamatuks, võtke juhendi emakeelse tõlke hankimiseks ühendust Vinteni või kohaliku esindajaga (Euroopa Liidu riigid).

Ελληνικά

- (EL)** Οι αρχικές οδηγίες αυτού του οδηγού για το χειριστή συντάχθηκαν στα Αγγλικά και μεταφράστηκαν στη συνέχεια σε άλλες γλώσσες. Εάν δυσκολεύεστε να καταλάβετε αυτές τις οδηγίες, επικοινωνήστε με τη Vinten ή το διανομέα σας για να λάβετε μια μετάφραση των αρχικών οδηγιών (Χώρες ΕΕ).

Español

- (ES)** Las instrucciones originales que se indican en esta guía del operador se han redactado en inglés y posteriormente se han traducido a otros idiomas. Si no entiende estas instrucciones, póngase en contacto con Vinten o con su distribuidor para obtener una traducción de las instrucciones originales (para países de la UE).

Français

- (FR)** Les instructions originales présentées dans ce guide d'utilisation ont été écrites en anglais puis traduites dans d'autres langues. Si vous ne comprenez pas ces instructions, contactez Vinten ou votre revendeur pour obtenir une traduction des instructions originales (pour les pays de l'UE).



Back

Gaeilge

- GA** Scríobhadh na treoracha bunaidh don treoirleabhar oibritheora seo as Béarla, agus aistríodh iad go teangacha eile ina dhiaidh sin. Mura bhfuil tú in ann na treoracha seo a thuiscint, téigh i dteagmháil le Vinten nó le do dháileoir, chun aistriúchán de na treoracha bunaidh a fháil (Tíortha an AE).

Italiano

- IT** Le istruzioni originali presentate in questa guida per l'operatore sono in lingua inglese e successivamente tradotte nelle altre lingue. Qualora le istruzioni non fossero disponibili nella lingua desiderata, potete contattare Vinten o il vostro distributore per ricevere la traduzione delle istruzioni originali (Paesi UE).

Latviešu

- LV** Šajā operatora rokasgrāmatā iekļautie norādījumi sākotnēji tika sarakstīti angļu valodā un pēc tam pārtulkoti citās valodās. Ja nesaprotat šos norādījumus svešvalodā, sazinieties ar Vinten vai tirgotāju, lai saņemtu norādījumu tulkojumu (kādā no ES dalībvalstu valodām).

Lietuvių

- LT** Šiame operatoriaus vadove pristatomos pirminės instrukcijos parašytos anglų kalba ir vėliau išverstos į kitas kalbas. Jei šių instrukcijų nesuprantate, susisiekite su „Vinten“ arba savo platintoju ir gaukite pirminių instrukcijų vertimą (ES šalies kalba).

Magyar

- HU** A kezelői útmutatóban található utasítások angol nyelven íródtak, és utólag fordították azokat más nyelvekre. Ha nem érti ezen utasításokat, kérjük, vegye fel a kapcsolatot a Vintennel vagy a helyi képviselővel, és igényelje az eredeti utasítások fordítását (EU országok).

Malti

- MT** L-istruzzjonijiet originali ipprezentati f'din il-gwida ta' operaturi kienu miktuba bl-Ingliż, u sussegwentement maqluba fl-lingwi oħra. Jekk ma tistax tifhem dawn l-istruzzjonijiet, ikkuntattja lil Vinten jew id-distributur tieghek biex tikseb traduzzjoni ta' l-istruzzjonijiet originali (Pajjiżi ta' UE).

Nederlands

- NL** De oorspronkelijke instructies in deze bedieningshandleiding zijn geschreven in het Engels en vervolgens in andere talen vertaald. Als het onmogelijk is deze instructies te begrijpen, neemt u contact op met Vinten of met uw distributeur om een vertaling te bemachtigen van de oorspronkelijke instructies (EG-landen).

Polski

- PL** Oryginalne instrukcje zamieszczone w niniejszym podręczniku operatora zostały napisane w języku angielskim, a następnie przetłumaczone na inne języki. Jeśli nie rozumieją Państwo tych instrukcji, prosimy skontaktować się z siedzibą lub dystrybutorem Vinten, aby uzyskać tłumaczenie oryginalnych instrukcji (kraje UE).

Português

- PT** As instruções originais apresentadas no guia do operador foram escritas em Inglês e traduzidas para outros idiomas. Se não conseguir compreender estas instruções contacte a Vinten ou o seu distribuidor para obter a tradução das instruções originais (Países da UE).



Back

Română

- RO** Instrucțiunile originale prezentate în acest ghid pentru operatori au fost scrise în limba engleză, și traduse ulterior în alte limbi. În cazul în care nu înțelegeți aceste instrucțiuni, contactați Vinten sau distribuitorul dumneavoastră pentru a obține o traducere a instrucțiunilor originale (Țările UE).

Slovensky

- SK** Pôvodné pokyny, uvedené v tomto návode na obsluhu, boli napísané v angličtine a následne preložené do iných jazykov. Ak nerozumiete týmto pokynom, obráťte sa na spoločnosť Vinten alebo vášho distribútora, aby vám zaslal preklad originálnych pokynov (krajinu EÚ).

Slovenščina

- SL** Originalno besedilo teh navodil za uporabo je bilo napisano v angleščini in prevedeno v ostale jezike. Če ne razumete teh navodil, se obrnite na podjetje Vinten ali lokalnega zastopnika, ki vam bo posređoval originalna navodila (velja za dr_ave EU).

Suomi

- FI** Tähän käyttäjän oppaaseen sisältyvät ohjeet on kirjoitettu alun perin englanniksi ja käännetty sitten muille kielille. Ellet ymmärrä näitä ohjeita, ota yhteyttä Vinteniin tai jälleenmyyjään ja pyydä alkuperäisten ohjeiden käännöstä (EU-maat).

Svenska

- SV** Instruktionerna i denna handbok skrevs ursprungligen på engelska och har sedan översatts till flera språk. Om du inte förstår dessa instruktioner, kontakta Vinten eller din återförsäljare för en ny översättning av originalinstruktionerna (EU-länder).



Back

Preface

Thank you and congratulations on your new Vector 750 from Vinten

We want you to get the most from your new Vector 750 and therefore encourage you to read this operators guide to familiarize yourself with its many features, some of which may be new to you. This document also covers essential health and safety information and has a section on maintenance that will ensure you keep your new product in perfect condition.

To receive additional benefits, register with Vinten now on line by visiting www.vinten.com/register.

Features and benefits of your new Vector 750

The Vector 750 has been specifically designed to meet the exacting demands of camera operators working with full facility studio and OB cameras. The Vector 750 offers a high level of control with many unique features.

- **Suitable for a wide range of cameras, up to 75 kg (165.3 lb) with a C of G between 80–250 mm (3–10 in.).**
- **Supplied complete with a standard wedge adaptor for easy and safe loading.**
- **The unique Perfect Balance system provides infinite adjustment, enabling perfect camera balance to be achieved throughout the tilt range, regardless of drag setting.**
- **A retractable adjuster provides extensive camera fore and aft movement so that positioning of the camera is easily controlled.**
- **"Fast action" can be easily followed as it happens with the responsive TF Drag control. It provides a wide range of infinitely adjustable drag from very light to extremely heavy, to suit any operator's desire and is operational in extreme conditions down to - 40°C and up to + 60°C. The TF drag system also allows for an extremely quick pan movement or "whip pan", recovering instantly and with minimal spring back.**
- **The illuminated level bubble and back-lit display on the drag knobs allow for easy set up in low light conditions.**
- **Easy to carry integral handle is a standard fitment.**

Once again, thank you for choosing the Vector 750.

We are confident it will give you many years of reliable performance.

Register your product to get One Extra Years Warranty and a Free Vinten Quality Gift.

Please register now on-line at www.vinten.com/register - it's easy and fast.

[Warranty Details and Terms and Conditions](#) can be found on page 26.



Back

Safety - read this first

English—Original Instructions

The original instructions presented in this operators guide were written in English, and subsequently translated into other languages. If you are unable to understand any of the translated languages, contact Vinten or your distributor to obtain a translation of the original instructions (EU Countries).

Warning Symbols in this Operators Guide



Where there is a risk of personal injury or injury to others, comments appear highlighted by the word **WARNING!**—supported by the warning triangle symbol.

Where there is a risk of damage to the product, associated equipment, process or surroundings, comments appear highlighted by the word **CAUTION!**

Technical Data

Maximum payload	75 kg (165.3 lb)
Payload Centre of Gravity height range	80 mm (3 in.) to 250 mm (10 in.)
Weight (complete with pan bar and wedge adaptor)	19.15 kg (42.1 lb)
Overall dimensions	
Height (with wedge adaptor)	
Minimum balance setting	255 mm (10.0 in.)
Maximum balance setting	355 mm (14.0 in.)
Length (without pan bar)	355 mm (14.0 in.)
Width (without pan bar)	350 mm (13.8 in.)
Width (with two pan bars)	445 mm (17.5 in.)
Tilt range	±52°
Pan range	360°
Operational temperature range	-40°C to 60°C
Battery type	PP3



Back

Usage

The Vector 750 pan and tilt head is designed for use in broadcast and film studios to support and balance a camera and ancillary equipment weighing up to 75 kg (165.3 lb), and must be mounted on equipment designed to support a minimum payload of 95 kg (209 lbs.) The Vector 750 pan and tilt head is intended for use by professional TV broadcast and film camera operators.



- WARNING!**
- 1. Do NOT attempt to use this product if you do not understand how to operate it.**
 - 2. Do NOT use this product for any other purpose than that specified in the Usage statement above.**
 - 3. Maintenance beyond that detailed in this Operators Guide must be performed only by competent personnel in accordance with the procedures specified in the Maintenance Manual.**
-
-

Further information

For further information or advice regarding this pan and tilt head, please contact Camera Dynamics Limited, your local Vinten distributor (see back cover) or visit our website.

For details on maintenance and spare parts, please refer to the Vector 750 Pan and Tilt Head Maintenance Manual and Illustrated Parts List (Publication Part No. V4034-4990) This is obtainable from Camera Dynamics Limited or your local Vinten distributor. For information on-line, visit our website at

www.vinten.com



Back

Contents

	Page
Preface	6
Safety - read this first	7
Technical Data	7
Usage	8
Further information	8
Introduction	13
Operation	
Unpacking	14
Mounting the head	14
Pan bars	14
Fitting a camera	15
Balancing the head	15
Locking the platform	17
Pan and tilt brakes	17
Pan and tilt drag	17
Servicing	
General	18
Cleaning	
Cleaning balance mechanism tracks	18
Routine maintenance	
Level bubble illumination unit battery replacement	20
Adjustments	
Platform slide clamp adjustment	21
Repositioning the wedge adaptor	22
Pan and tilt brake adjustment	23
Parts List	25
Warranty Details and Terms and Conditions	26

Associated Publication

Vector 750 Pan and Tilt Head
Maintenance Manual
Publication Part No. V4034-4990



Back

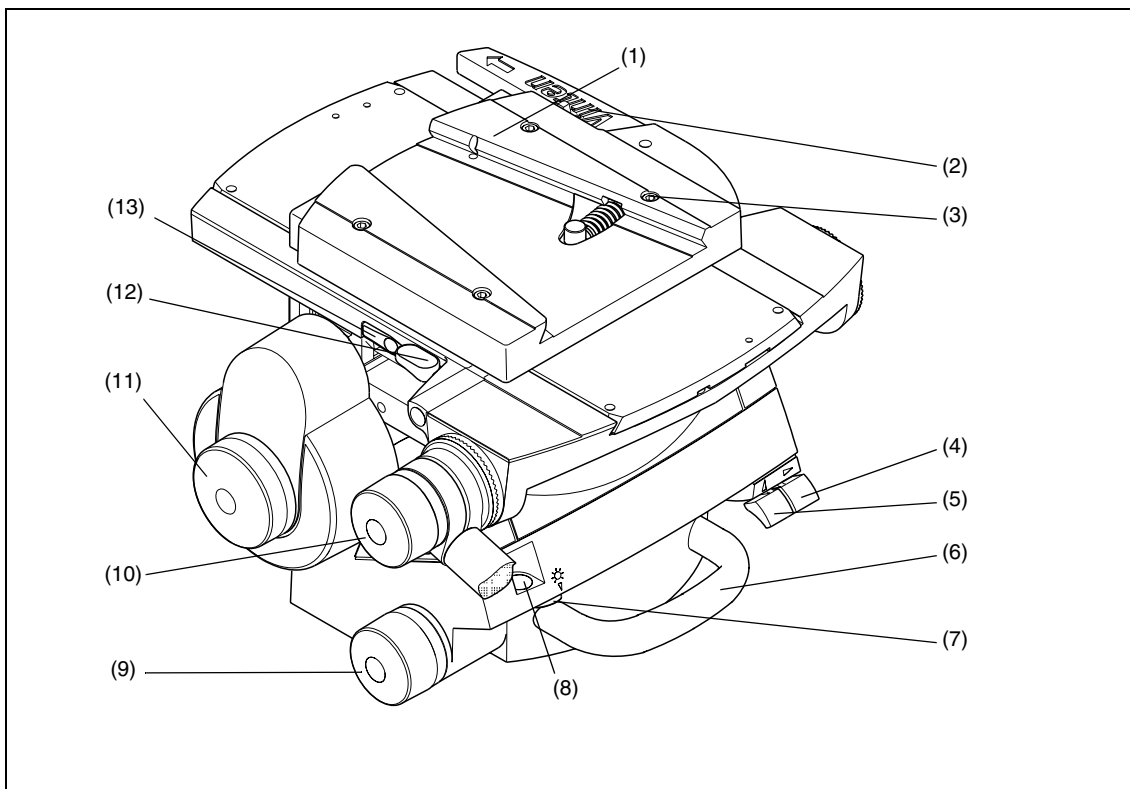


Fig 1 Vector 750 Pan & Tilt Head (Left-hand Side)

- | | |
|------|----------------------------------|
| (1) | Wedge adaptor |
| (2) | Wedge adaptor operating lever |
| (3) | Wedge adaptor securing screw |
| (4) | Pan brake lever |
| (5) | Tilt brake lever |
| (6) | Carrying handle |
| (7) | Level bubble illumination switch |
| (8) | Level bubble |
| (9) | Pan drag adjustment knob |
| (10) | Pan bar clamp |
| (11) | Tilt drag adjustment knob |
| (12) | Slide plate clamp |
| (13) | Slide plate adjustment knob |



Back

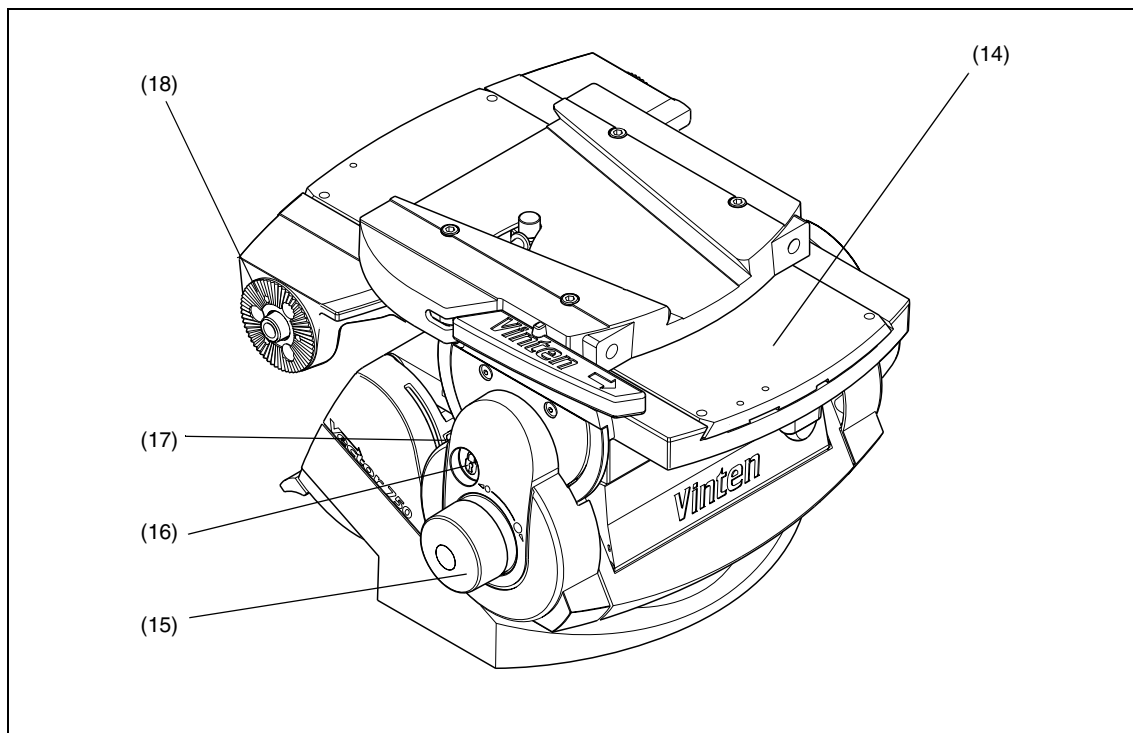


Fig 2 Vector 750 Pan & Tilt Head (Right-hand Side)

- | | |
|------|---------------------------|
| (14) | Slide plate |
| (15) | Balance adjustment knob |
| (16) | Centre lock button |
| (17) | Centre lock release catch |
| (18) | Pan bar mounting |



Back

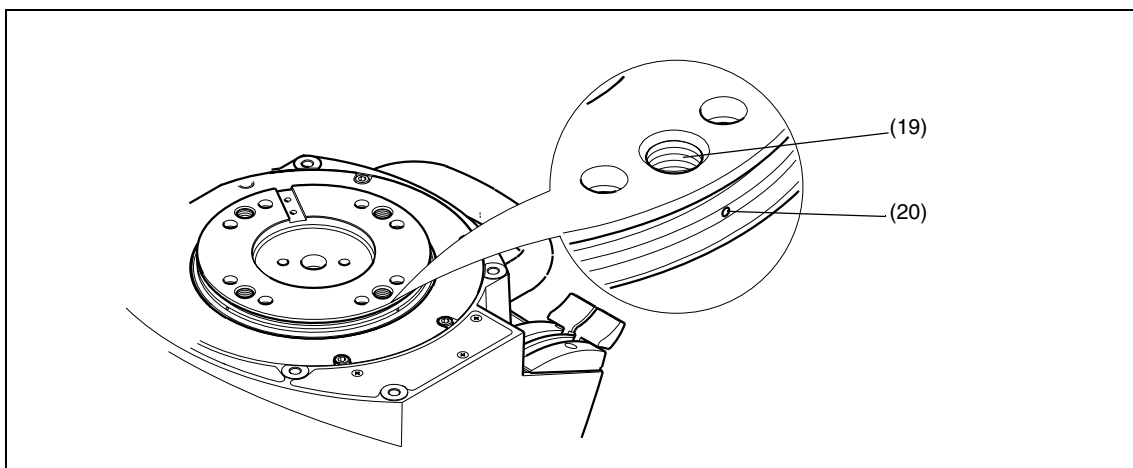


Fig 3 Vector 750 Pan & Tilt Head (Underside)

(19)

Four bolt fixing

(20)

Bolt hole position indicator



[Back](#)

Introduction

The Vector 750 pan and tilt head embodies a unique linkage counterbalancing mechanism, thin film (TF) drag assemblies for pan and tilt motions and an adjustable camera mounting plate.

The balance system is easily adjusted by a knob (15) on the right-hand side of the head. The balance adjustment control compensates for differing platform load C of G heights by varying the mechanical advantage of a bell-crank in the counterbalance mechanism.

Both the pan and tilt mechanisms incorporate TF drag systems to ensure smooth movement of the camera about these axes and are fitted with control knobs (9), (11) to adjust the drag setting. The drag controls are mounted on the left-hand side of the head. The whip-pan facility is unaffected by the pan drag setting.

Friction brakes on each axis allow the head to be locked at any chosen position. The operating levers for both brakes (4), (5) are fitted at the right-hand rear of the head. A tilt axis centre lock (16) is provided on the right-hand side of the head to secure the platform in the horizontal position during transport or load changing.

A level bubble (8) is fitted to the rear of the head and is provided with a time-delay illumination unit, operated by a switch (7). The battery for the illumination unit is contained in the base.

Pan bar mounting points (18) are located at the rear of the head, on either side of the camera mounting platform. A telescopic pan bar is supplied and is attached using a pan bar clamp (10), with angular adjustment available on the mount serrations. A second pan bar may be fitted, and fixed and short pan bars are available as optional extras.

The camera is attached to the head by means of a wedge adaptor (1).



Back

Operation

Unpacking

The head is supplied with one pan bar and a battery (fitted) for the level bubble illumination unit.

A second telescopic pan bar or short pan bar for use with a zoom or focus controller are optional. Ensure that all items are unpacked prior to disposal of the packing materials.

After unpacking ensure that:

The pan and tilt brakes (4), (5) are on (see [Pan and tilt brakes](#)).

The centre lock (16) is engaged (see [Locking the platform](#)). Always engage the centre lock before lifting or carrying the head.

CAUTION! Do NOT Lift the head by the platform. Only use the base and/or the carrying handle to prevent damaging the head.

Mounting the head

NOTE: When mounted on Vinten 'Hawk' or 'Teal' pedestals, clearance between the head and the pedestal weight tray prevents the use of 5.5 lb (1.6 kg) and 1.0 lb (0.47 kg) trim weights. Use alternative weights or fit the adaptor plate kit (Part No. 3354-900SP) between the head and pedestal.



WARNING! 1. Only mount this product on equipment designed to support a minimum of 95 kg (109 lbs.).

2. Before installing the head, hold a fixing bolt in position and check that the threaded end does not project more than 20 mm (3/4 in.) above the mounting face.

The head is mounted on a tripod, pedestal or suitable firm surface using the four fixing bolts and washers. The four bolt fixing holes (19) on the underside of the head are easily located using the bolt hole position indicators (20). Tighten the bolts with the spanner provided.

After mounting the head, ensure it is level using the level bubble (8), which may be illuminated by pressing the switch (7). The light will go out after approximately 15-seconds.

Pan bars

Fit the pan bars to the head and adjust the position of each one before tightening the clamp (10) on the mounting (18). Adjust the length of the telescopic pan bars.



Back

Fitting a camera



WARNING! 1. Do NOT rely on the tilt brake when changing the payload. Always engage the centre lock.

2. Ensure that the weight and C of G height of the total payload is within the range for which the head is designed: up to 75 kg (167.3 lb) with C of G height from 80 mm (3 in) to 250 mm (10 in).

To fit a camera, proceed as follows:

Lower the mounting to a convenient working height.

If not already fitted, install the wedge adaptor (1) in the middle position on the slide plate (14) (see [Repositioning the wedge adaptor](#)).

Attach the wedge to the camera/lens.

Ensure that the centre lock (16) is engaged (see [Locking the platform](#)).

Apply the pan brake (4) (see [Pan and tilt brakes](#)).

Slide the wedge adaptor operating lever (2) forward (parallel to the wedge) about 6 mm (1/4 in.) against spring tension. Pull the operating lever out, away from the body of the wedge adaptor, as far as it will go.

Insert the camera wedge into the wedge adaptor and push it forward into full engagement. Push in the operating lever (1) until it lies parallel with the wedge adaptor body. During this operation resistance of the spring-loaded over-centre mechanism will be felt. As the lever reaches the end of its travel it will slide back (parallel to the wedge) to the locked position.

Confirm that the lever is in the locked position. This is indicated by coloured bands above the lever. When the green band only is visible, the lever is locked. If any of the red band can be seen, the lever is not locked.

Install the remainder of the payload (lens, zoom and focus controls, viewfinder, prompter etc.).

Balancing the head

NOTE: It is important that the pan bar(s) and all camera accessories (lens, zoom and focus controls, viewfinder, prompter etc.) are fitted in their operational position before balancing the head. Any equipment fitted or adjusted later will unbalance the head.

Balancing the head consists of positioning the payload fore and aft on the head so that its C of G is immediately above the platform pivot, then compensating for the payload C of G height using the balance adjustment knob.

Position the payload fore and aft as follows:



Back

Ensure that the centre lock is engaged (see [Locking the platform](#)) and that the camera and all accessories are fitted.

Turn the tilt drag adjustment knob (11) to its minimum setting.



WARNING! Increase the balance setting (15) for a heavy out-of-balance payload **BEFORE** disengaging the centre lock (16), to prevent the platform tipping violently.

Holding the pan bar to steady the platform, disengage the centre lock (see [Locking the platform](#)).

Push the clamp lever (12) downward to release the slide plate clamp and pull out the slide plate adjustment knob (13) until it engages with the platform drive. Turn the knob to move the slide plate fore and aft to achieve horizontal balance.

The horizontal balance is correct when no perceptible tilting force can be felt on the pan bar with the platform level. Apply the slide plate clamp (12) by pulling the clamp lever upward.

If there is insufficient movement in the slide plate to achieve balance, reposition the wedge adaptor (see [Servicing](#)), refit the load and repeat the horizontal balancing procedure.

When fore and aft balance has been achieved, adjust the payload C of G height as follows:

Using the pan bar, tilt the platform forward and backward. When correctly balanced, there should be no perceptible tilting force on the pan bar at any angle of tilt and the head should remain in any tilt position to which it is set.

If the head tends to fall away when the platform is tilted, push in and turn the balance adjustment knob (15) clockwise to increase the C of G height setting. If the head tends to spring back to centre, push in and turn the balance adjustment knob (15) counter-clockwise to decrease the C of G height setting.

NOTE: The balance adjustment knob is a multi-turn control. To enable the knob to be turned more easily, slightly tilt the platform using the pan bar whilst turning the knob.

When the payload C of G height adjustment is complete, check that the fore and aft balance remains satisfactory. Re-adjust the position of the slide plate if necessary.

After balancing, release the brakes and exercise the head through both axes to confirm that it operates smoothly.



Back

Locking the platform

The centre lock mechanism is operated by a button (16) on the right-hand side of the head. To engage the lock, hold the platform in the horizontal position and push the button (16) inwards until it latches and the release catch (17) appears. Use the pan bar to rock the platform slightly whilst pushing the button (16).

To release the centre lock, rock the platform slightly and push down on the release catch (17).

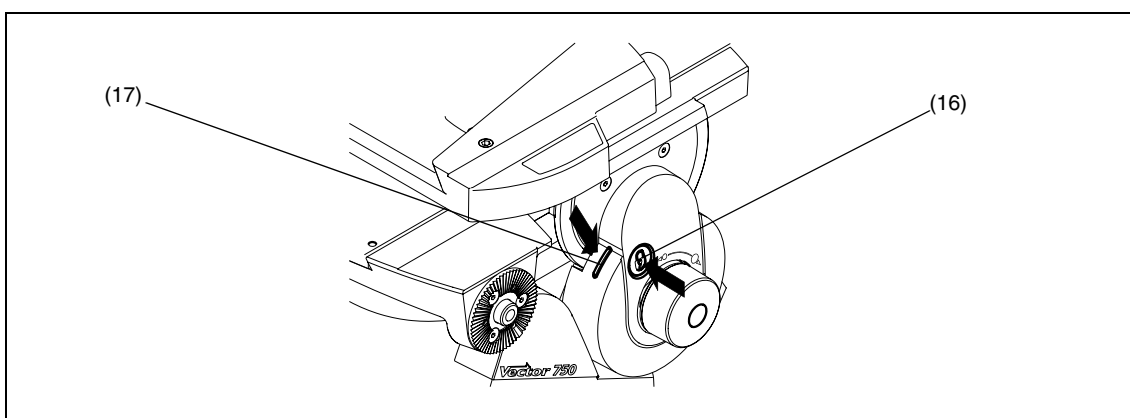


Fig 4 Locking the platform

Pan and tilt brakes

The pan and tilt brakes are operated by levers (4), (5) at the rear of the head. They are applied by pulling the appropriate lever up and back and released by pushing the lever forwards.

The brakes should be applied whenever the camera is left unattended.

Pan and tilt drag

The pan drag adjustment knob (9) is mounted on the left-hand lower part of the main body. Tilt drag is adjusted by a knob (11) mounted on the face of the tilt drag housing on the left-hand side of the head. The drag adjustment knobs are graduated from 0 (minimum drag) to 9 (maximum drag).

Turn the knobs clockwise to increase drag and counter-clockwise to decrease drag.



Back

Servicing

General

The Vector 750 pan and tilt head is robustly made to high engineering standards and little attention is required to maintain serviceability save regular cleaning.

Routine maintenance on the Vector 750 pan and tilt head is limited to annual replacement of the level bubble illumination battery. No further routine maintenance is required.

During normal use, check the effectiveness of the platform slide clamp and the adequacy of level bubble illumination.

Refer to the appropriate section in the Maintenance Manual if any defect is apparent. Adjustments and repairs should be carried out only by a competent person.

Cleaning

During normal use the only cleaning required should be a regular wipe over with a lint-free cloth. Dirt accumulated during storage or periods of disuse may be removed with a semi-stiff brush. Particular attention should be paid to the wedge location faces of the wedge adaptor.

CAUTION! DO NOT use solvent- or oil-based cleaners, abrasives or wire brushes to remove accumulations of dirt as these damage the protective surfaces. To clean mechanical surfaces, use only detergent-based cleaners.

Use out-of-doors under adverse conditions may require special attention, and the head should be covered when not in use. Salt spray should be washed off using fresh water at the earliest opportunity. Sand and dirt act as an abrasive and should be removed using a semi-stiff brush or a vacuum cleaner.

Cleaning balance mechanism tracks

The balance mechanism tracks are automatically cleaned by built-in wipers, but after use in particularly adverse conditions the tracks may require cleaning. Some dismantling of the head is necessary and it is recommended that this be carried out in clean workshop conditions.

Vertical tracks

To clean the vertical tracks it is necessary to remove the platform. Proceed as follows:

Remove the payload (if fitted). It is not necessary to remove the wedge adaptor.

Release the slide plate clamp (12). Use the adjustment knob (13) to wind the slide plate (14) backwards until it is clear of fixing screws (21).

Level the platform.

Remove six screws (21) securing the platform (22) to the balance mechanism (23). Lift off the platform.



Back

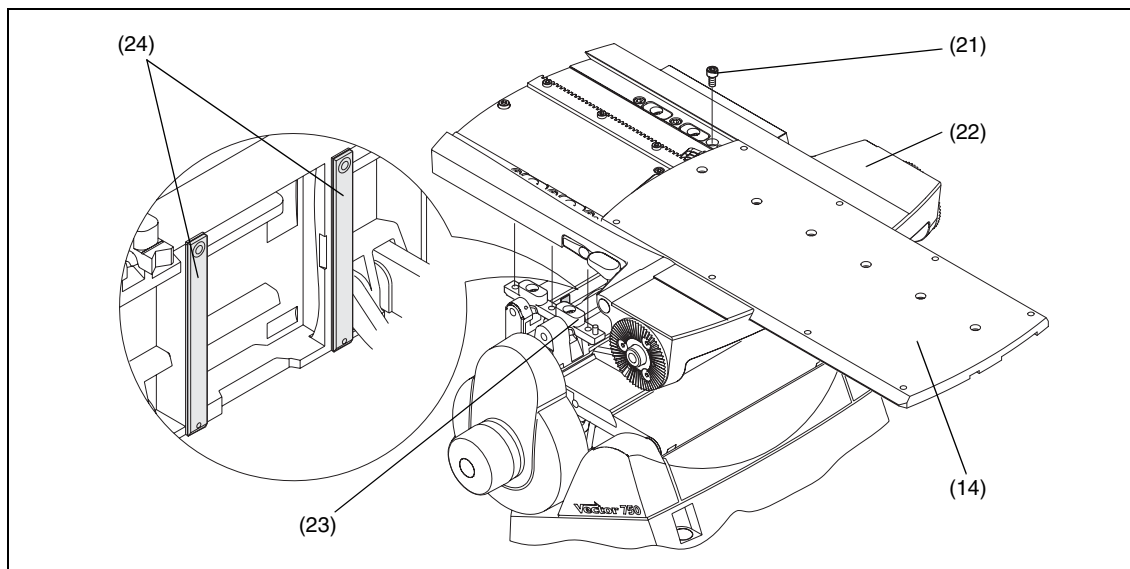


Fig 5 Cleaning the vertical tracks

Using a pipe cleaner (or similar) moistened with an isopropanol-based cleaner (3M VBH or similar), and clean the two vertical tracks (24). Upwards pressure on the balance mechanism will allow the area of track under the vertical rollers to be cleaned.

Install the platform (22) on the balance mechanism (23) and secure with six screws (21), using Loctite 222E.

Using the adjustment knob (13) wind the slide plate forwards to the central position.

Refit the payload (if required) and rebalance the head.

Horizontal tracks

No dismantling is necessary to clean the horizontal tracks. Proceed as follow:

Remove the payload (if fitted).

Set the balance mechanism to its maximum setting by pushing in the knob (15) and turning it clockwise to its stop.

Tilt the platform fully backwards and apply the tilt brake (5).

Pull down the flap guard (28) to reveal the bevel gear (26). Access to the horizontal tracks (2*) is through the holes in the bevel gear, which may be rotated freely.

Using a pipe cleaner (or similar) moistened with an isopropanol-based cleaner (3M VBH or similar), clean the two horizontal tracks. Upwards pressure on the balance mechanism will allow the area of track under the horizontal rollers to be cleaned.

Release the flap guard (28) and the tilt brake (5) and return the platform to the horizontal position.

Refit the payload (if required).



Back

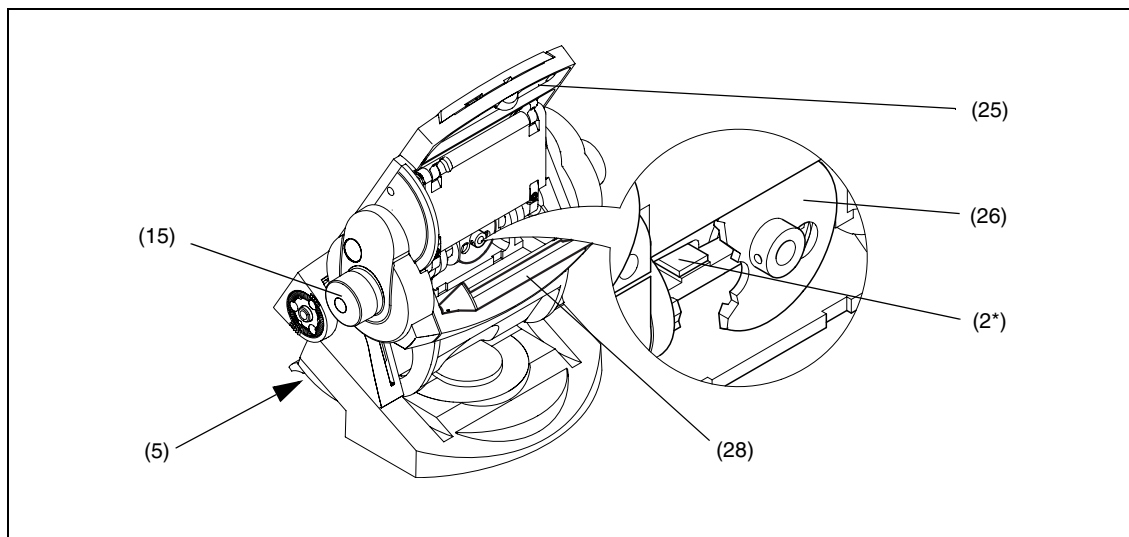


Fig 6 Cleaning the horizontal tracks

Routine maintenance

Level bubble illumination unit battery replacement

The level bubble on the Vector 750 pan and tilt head is illuminated by a battery-powered light-emitting diode (LED). A time-delay circuit initiated by a switch controls the LED. The battery should be replaced at yearly intervals or whenever the illumination is considered inadequate.

NOTE: Dependent on the type of mounting, it may be necessary to remove the head from the mounting for access to the battery compartment.

To install or replace the battery:

Remove three screws (29) which secure the battery compartment cover plate (32) to the head.

Install or replace the battery (30), pushing the connector (31) onto the battery terminals.

Position the battery in the battery compartment, ensuring that the wiring is not trapped.

Refit the battery cover plate (32), ensuring battery locates in cover plate. Secure with three screws (29).

Press the switch (7) and ensure the lamp is lit for approximately 15-seconds.



Back

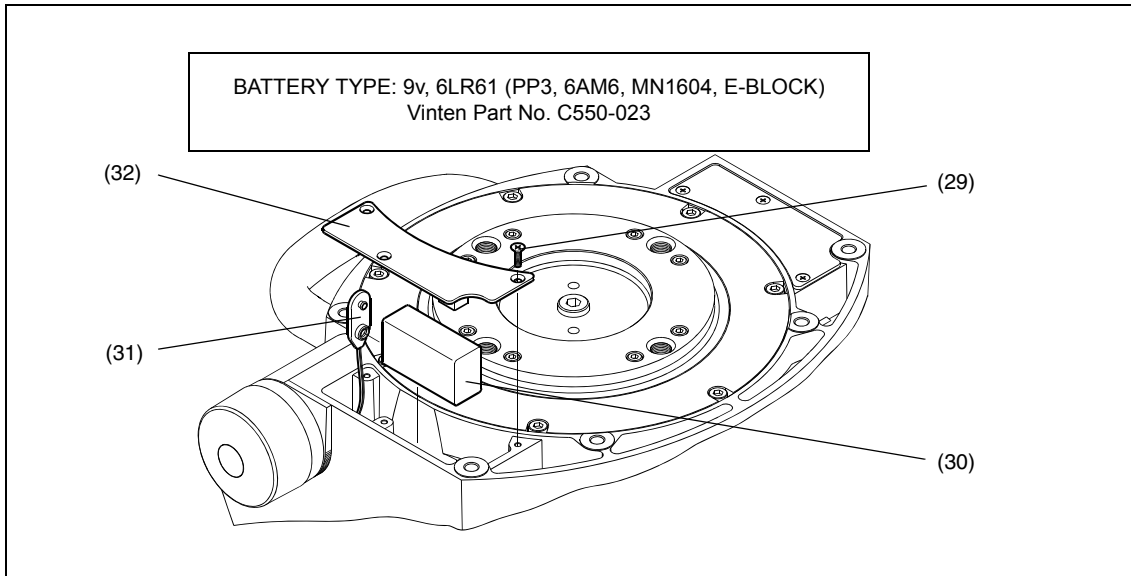


Fig 7 Level bubble illumination unit battery replacement

Adjustments

After considerable use the platform slide clamp may require adjustment.

To enable the payload to be correctly balanced, the wedge adaptor may require repositioning.

The pan and tilt brakes may require adjustment after considerable use.

Platform slide clamp adjustment

The platform slide clamp (12) should be set so that, in the up or clamped position it prevents the platform slide from being moved, while in the down or released position it allows free adjustment of the slide. To adjust the clamp, proceed as follows:

On the left-hand side of the platform, carefully remove the plastic cap (12.2) to reveal the slotted shaft (12.1).

Pull the slide clamp lever (12) fully upwards.

Slacken the clamp screw (12.3).

Turn the slotted shaft (12.1) fully clockwise to apply the clamp.

Tighten the clamp screw (12.3).

Move the lever over its full range and ensure that, in the clamped position, it prevents the slide from being moved, while in the released position it allows free adjustment of the slide. Re-adjust if necessary.

Replace the plastic cap (12.2) over the slotted shaft (12.1).



Back

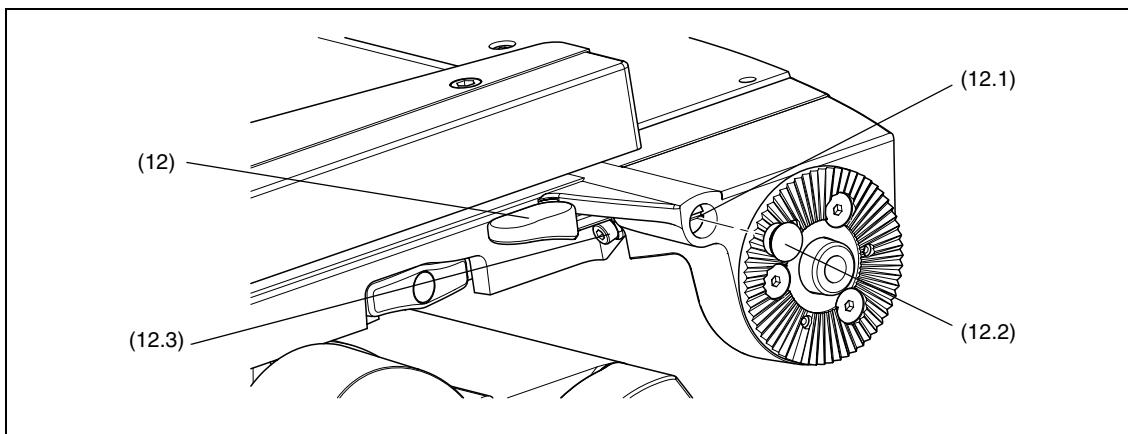


Fig 8 Platform slide clamp adjustment

Repositioning the wedge adaptor

The wedge adaptor (1) is secured by four cap head screws (3) which pass through the wedge adaptor into the slide plate (14).

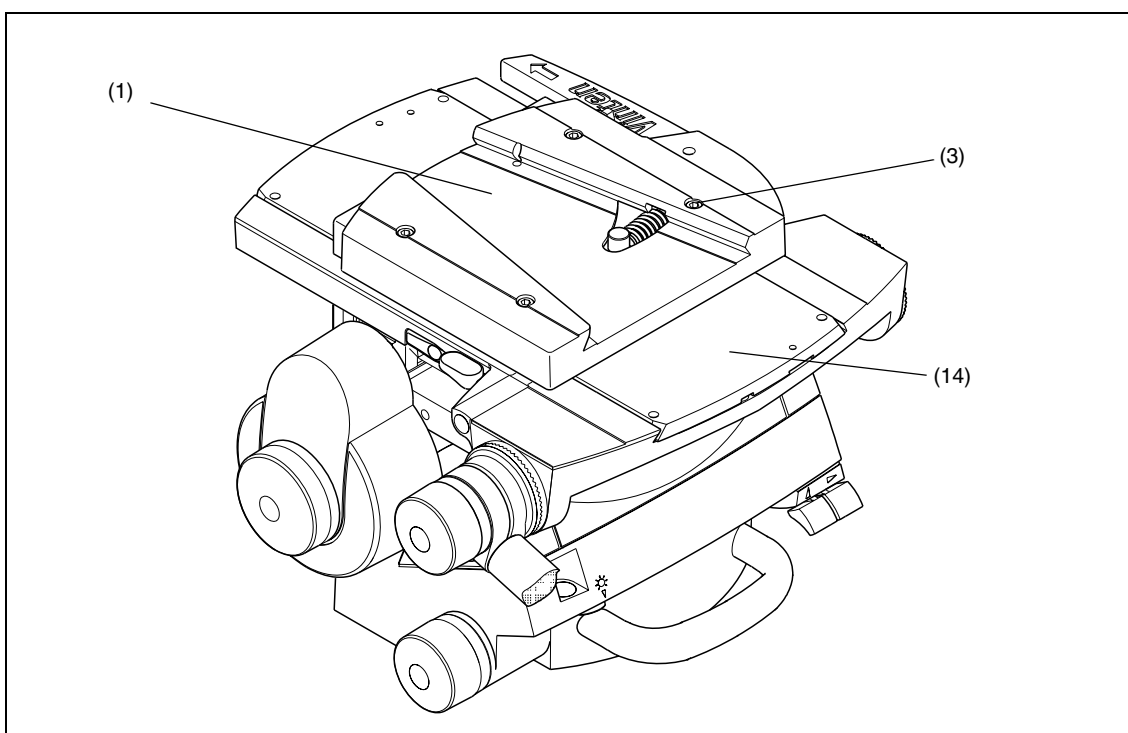


Fig 9 Wedge adaptor



Back



WARNING! Overlong screws will prevent the slide plate from operating.
Always use the screws provided (M6 x 30 mm).

To reposition the wedge adaptor:

Engage the centre lock (see [Locking the platform](#)) and remove the load.

Hold the body of the wedge adaptor (1) and use a 4 mm hexagon wrench to remove four securing screws (3).

Reposition the wedge adaptor (1) on the slide plate (14), ensuring that the narrow end of the wedge adaptor faces forwards.

Insert the four screws (3) in the holes in the wedge adaptor and tighten.

Pan and tilt brake adjustment

The pan and tilt brakes should be set so that the brakes begin to be applied after approximately one-third of the lever travel.

The tilt brake is adjusted by inserting a 2 mm hexagon wrench through the hole (5.2) in the bottom of the tilt unit cover and turning the grub screw (5.1). To adjust the tilt brake, proceed as follows:

Operate the tilt brake lever (5) from the OFF to the ON position.

If brake pressure is not felt after approximately one-third of the lever travel, turn the grub screw (5.1) clockwise until this is achieved.

Operate the tilt brake lever (5) to the OFF position and ensure that the platform is free to move.

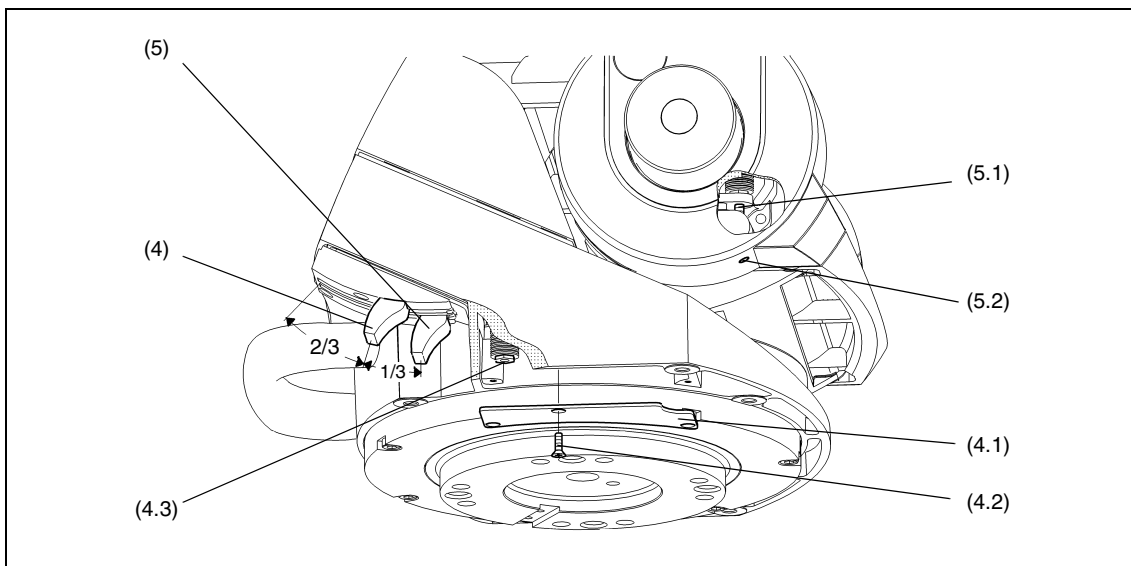


Fig 10 Pan and tilt brake adjustment



Back

The pan brake is adjusted by turning the pin (4.3). To gain access to the pin it is necessary to remove the payload from the head, remove the head from its mounting and remove a cover plate (4.1) from the underside of the head. To adjust the pan brake, proceed as follows:



WARNING! Remove the payload before adjusting the pan brake.

Remove the payload from the head.

Remove the head from its mounting.

On the underside of the head, remove three screws (4.2) securing cover plate (4.1).

Operate the pan brake lever (4) from the OFF to the ON position.

If brake pressure is not felt after approximately one-third of the lever travel, turn the pin (4.3) clockwise until this is achieved.

Operate the pan brake lever (4) to the OFF position and ensure that the head is free to rotate.

Refit cover plate (4.1) and secure with three screws (4.2).



[Back](#)

Parts List

The following list includes the main assemblies, user-replaceable spare parts and optional accessories. For further information regarding repair or spare parts, please contact Camera Dynamics Limited or your local Vinten distributor.

Item	Part No.
Vector 750 pan and tilt head	V4034-0001
Wedge adaptor	3389-3
Camera wedges for wedge adaptor:	
Short wedge	3391-3
Standard wedge	3053-3
Telescopic pan bar and clamp	3219-82
Short fixed pan bar and clamp	3219-94
Short fixed pan bar and clamp	3219-93
Fixing bolt	L054-714
Washer - for fixing bolt	L602-122
Spanner - for head bolts	J551-001
Lightweight Mitchell adaptor	3103-3
Heavy-duty Mitchell adaptor - for Vinten pedestal mounting in conjunction with Hi-hat adaptor Part No. 3055-3	3724-3
Adaptor plate kit - for use on Hawk and Teal pedestals	3354-900SP
Level bubble illumination unit battery - 9V, 6LR61 (PP3, 6AM6, MN1604, E-BLOCK or equivalent)	C550-023



[Back](#)

Warranty Details and Terms and Conditions

Please read the Warranty Details and Terms and Conditions below.
Register your product to get One Extra Years Warranty and a Free
Vinten Quality Gift.

Please register now on-line at www.vinten.com/register - it's easy and fast.

The product serial number location (25) is shown in [Fig 6](#).

Warranty

Vinten warrants, to the original purchaser only, that this product will be free from defects in materials and workmanship under normal and proper usage for a period of one (1) year from the date of purchase. Vinten's obligation under this warranty is limited to replacing or repairing, at Vinten's option, products or parts determined by Vinten to be defective in materials or workmanship. This Vinten parts and labour warranty is subject to the terms and conditions set forth below.

Extended Warranty

By registering on-line, the warranty on Vinten hardware products described above is extended from one (1) to two (2) years from the date of purchase subject to the terms and conditions below.

Terms and Conditions

Notification of Warranty Claims

All warranty claims must be made in writing and must include date and proof of purchase

Extent of liability

This warranty is given to the original purchaser of the goods only and cannot be assigned, except with the prior written agreement of Vinten.

Subject to these terms and conditions, Vinten will repair or replace, free of charge, any product or defective part provided that the defective part of the product has been returned to Vinten or its authorized agent, freight pre-paid.

If any defective product has been superseded and cannot be repaired, replacement will be made with a current model of the same quality and equivalent function.

Exclusion of Liability

This warranty does not cover any damage, defects or costs caused by: (1) modification, alteration, repair or service of the product by anyone other than Vinten or its authorized representative; (2) physical abuse to, overload of, or misuse of, the product, or operation of the product in a manner contrary to the instructions accompanying the product; (3) any use of the product other than that for which it was intended; or (4) shipment of the product to Vinten for service.



[Back](#)

UNDER NO CIRCUMSTANCES SHALL VINTEN BE LIABLE FOR ANY SPECIAL, INCIDENTAL OR CONSEQUENTIAL DAMAGES, INCLUDING, BUT NOT LIMITED TO, PERSONAL INJURY, PROPERTY DAMAGE, DAMAGE TO OR LOSS OF EQUIPMENT, LOST PROFITS OR REVENUE, COSTS OF RENTING REPLACEMENTS AND OTHER ADDITIONAL EXPENSES, EVEN IF VINTEN HAS BEEN ADVISED OF THE POSSIBILITY OF SUCH DAMAGES. SOME JURISDICTIONS DO NOT ALLOW THE EXCLUSION OR LIMITATION OF INCIDENTAL OR CONSEQUENTIAL DAMAGES, SO THE ABOVE LIMITATION OR EXCLUSION MAY NOT APPLY TO YOU.

ANY EXPRESS WARRANTY NOT PROVIDED HEREIN, AND ANY REMEDY WHICH, BUT FOR THE WARRANTY CONTAINED HEREIN, MIGHT ARISE BY IMPLICATION OR OPERATION OF LAW IS HEREBY EXCLUDED AND DISCLAIMED INCLUDING THE IMPLIED WARRANTIES OF MERCHANTABILITY AND OF FITNESS FOR A PARTICULAR PURPOSE. SOME JURISDICTIONS DO NOT ALLOW LIMITATIONS ON IMPLIED WARRANTIES, SO THE ABOVE LIMITATION MAY NOT APPLY TO YOU.

THIS WARRANTY GIVES YOU SPECIFIC LEGAL RIGHTS AND YOU MAY ALSO HAVE OTHER RIGHTS, WHICH MAY VARY FROM JURISDICTION TO JURISDICTION.