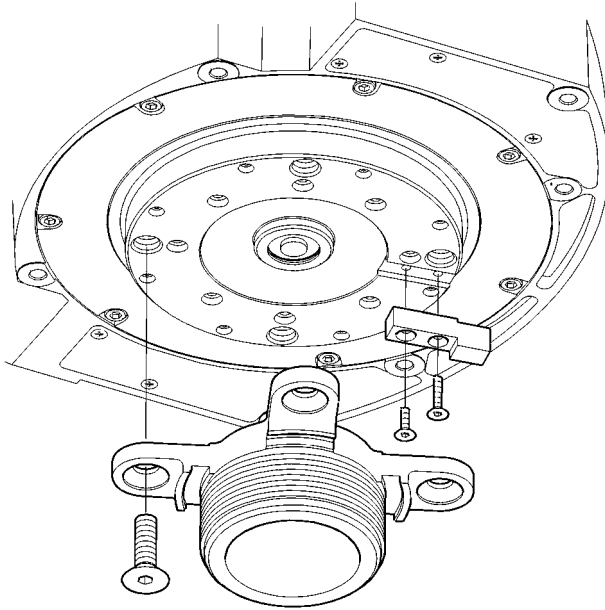


ADAPTORS



HANDBOOK

VINTEN ADAPTORS HANDBOOK

Publication Part No. 3384-9

Issue 5

Copyright © Vinten Broadcast Limited 1999-2004

All rights reserved throughout the world. No part of this document may be stored in a retrieval system, transmitted, copied or reproduced in any way including, but not limited to, photocopy, photograph, magnetic or other record without the prior agreement and permission in writing of Vinten Broadcast Limited.

Vinten, Vision, Quickfix and Quickfit are registered trademarks of Vinten Broadcast Limited.

Foreword

This manual details the various adaptors and accessories available from Vinten Broadcast Limited.

Part 1 lists adaptors which enable pan and tilt heads to be mounted on a variety of bases. Part 2 lists adaptors which interface between cameras and pan and tilt heads. Part 3 contains miscellaneous adaptors.

For further information on adaptors and their applications, please contact Vinten Broadcast Limited or your local distributor.

NOTE: Information contained in this document is subject to change. Vinten Broadcast Ltd reserves the right, without notice, to make changes in equipment design or performance as progress in engineering, manufacturing or technology may warrant.

Notes to readers


This is the on-line version of 'Adaptors Handbook' (3384-9). Readers should be aware that the pagination differs between on-line and printed versions.


Navigation


Clicking the mouse on any [blue text](#) will move you around the document.

Clicking here will take you to the Contents Page.

[Contents](#) Clicking here will take you to the first page.

 Clicking here will take you to the previous page.

 Clicking here will take you to the next page.

 Click here to go back to the previous view.

 Alternatively, you may use the Acrobat Reader navigation buttons.

Contents

	Page
Foreword	3
Notes to readers	4
General Information	7
Part 1 - Pan & Tilt Head to Mounting Adaptors	
'Quickfix' Adaptors	
'Quickfix' Adaptor with Four-Hole Flat Base (3100-3)	9
'Quickfix' Adaptor with 150 mm Ball Base (3143-3)	10
'Quickfix' Adaptor with 100 mm Ball Base (3144-3)	11
'Quickfix' Levelling Adaptor with Four-Hole Flat Base (3328-30)	12
Heavy Duty 'Quickfix' Adaptor (3490-3)	13
Mitchell Adaptors	
Mitchell Spider Adaptor (3055-3)	15
Mitchell Centre Screw (3724-3)	16
Lightweight Mitchell Adaptor (3750-3)	17
Mitchell Adaptor - Four-Hole Flat Base to Heavy-Duty Tripod (3103-3)	18
75/100 mm Ball Adaptors	
75 mm Ball to 100 mm Bowl Adaptor (U005-159)	20
100/150 mm Ball Adaptors	
100 mm Levelling Bowl Adaptor (3330-16)	22
150 mm Levelling Bowl Adaptor (3330-17)	23
100 mm Ball to Hot Pod Adaptor (3330)	24
Four-Hole to 150 mm Bowl Adaptor (3104-3)	25
Miscellaneous Pan & Tilt Head to Mounting Adaptors	
200 mm Hi-Hat (3155-3)	27
Short Securing Knob for Vision Heads (3321-30)	28
Vinten Four-Hole Fixing to Skid (3368-24)	29
Scaffold Clamp (3407-1A)	30
20 mm Spacer Ring (3354-900SP)	31

Content (Cont)

Page

Part 2 - Camera to Pan and Tilt Head Adaptors

Slide Plates

Slide plate for Vision 3 and 6 Heads (3449-900SP) 33

Slide plate for Vision 8 - 250 Heads (3364-900SP) 34

Extended Slide Plate for HD250 Heads (3330-33) 35

Wedge Adaptors

Standard Wedge with Fixing Screws (3053-3) 37

Short Wedge with Fixing Screws (3391-3) 38

Automatic Wedge Adaptor (3389-3) 39

Automatic Wedge Adaptor (Black) (3460-3) 40

Wedge Plate Extender (3069-3) 41

Intermediate Plate (3384-11) 42

'Quickfit'® Adaptors

ENG 'Quickfit' Automatic Adaptor (3371-3) 44

ENG 'Quickfit' Automatic Adaptor (Black) (3471-3) 45

EFP 'Quickfit' Automatic Adaptor (3761-3) 46

VHS Adaptors

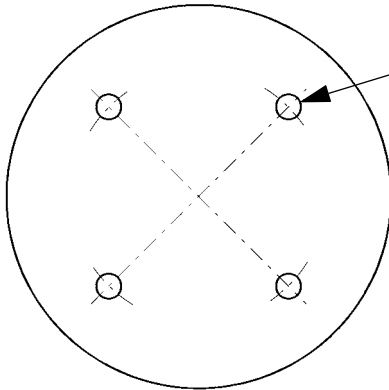
VHS Adaptor (3330-29) 48

Part 3 - Miscellaneous Adaptors

Extended Clamp Assembly (3219-34) 50

General Information

Vinten® standard four-hole mounting



Four holes 3/8 in. BSW (or 11 mm diameter clearance) equi-spaced on 4.375 in. (111.125 mm) pitch circle diameter.

Load capacity

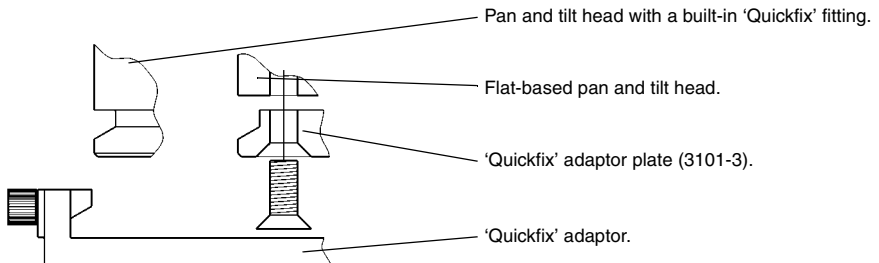
The load capacity of each adaptor is given. Where two or more adaptors are used together, the **LOWEST** load capacity should not be exceeded.



WARNING! Regardless of the adaptor(s) used, the payload **MUST NOT** exceed the load capacity of the mounting.

Quickfix® bases

Some Vinten pan and tilt heads with flat bases have a built-in 'Quickfix' fitting (see below). Others may be converted by use of an adaptor plate, Part No. 3101-3.



Part 1 - Pan & Tilt Head to Mounting Adaptors

'Quickfix' Adaptors

'Quickfix' Adaptor with Four-Hole Flat Base (3100-3)

This adaptor allows a pan and tilt head with a 'Quickfix' base to be installed on a standard Vinten four-hole mounting.

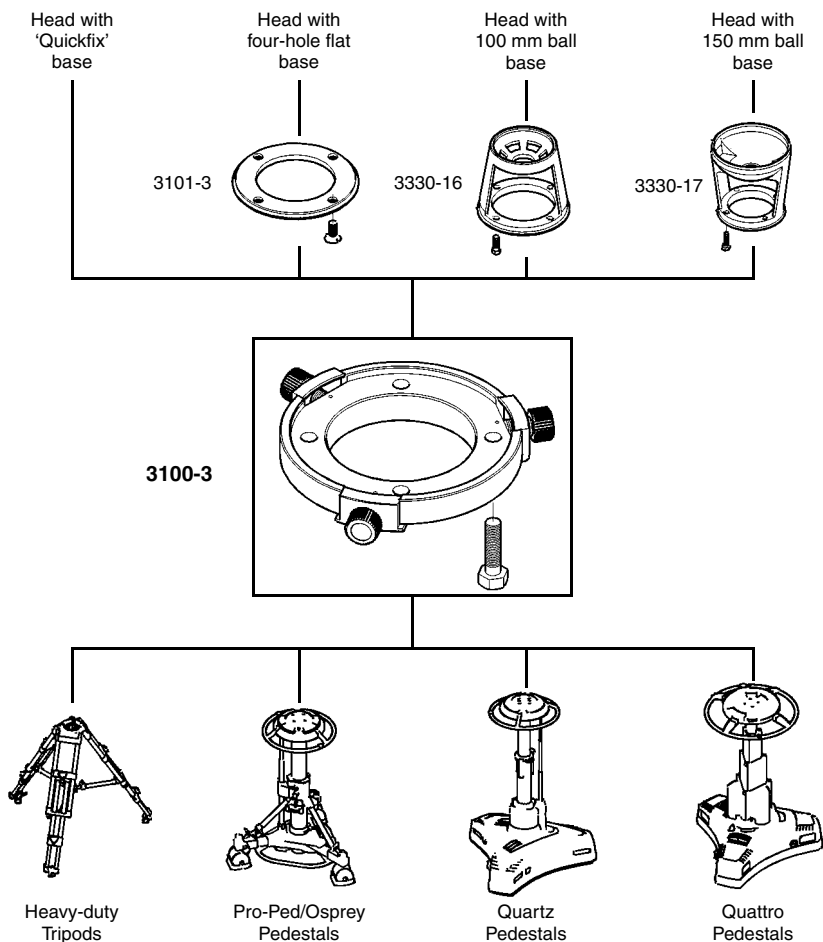
HEAD FIXING	BASE FIXING
'Quickfix'	Vinten four-hole base (page 7), with 3/8 in. BSW screws (supplied).

Weight

0.65 kg (1.43 lb)

Load capacity

45 kg (100 lb)



'Quickfix' Adaptor with 150 mm Ball Base (3143-3)

This adaptor allows a pan and tilt head with a 'Quickfix' base to be installed on a 150 mm bowl mounting.

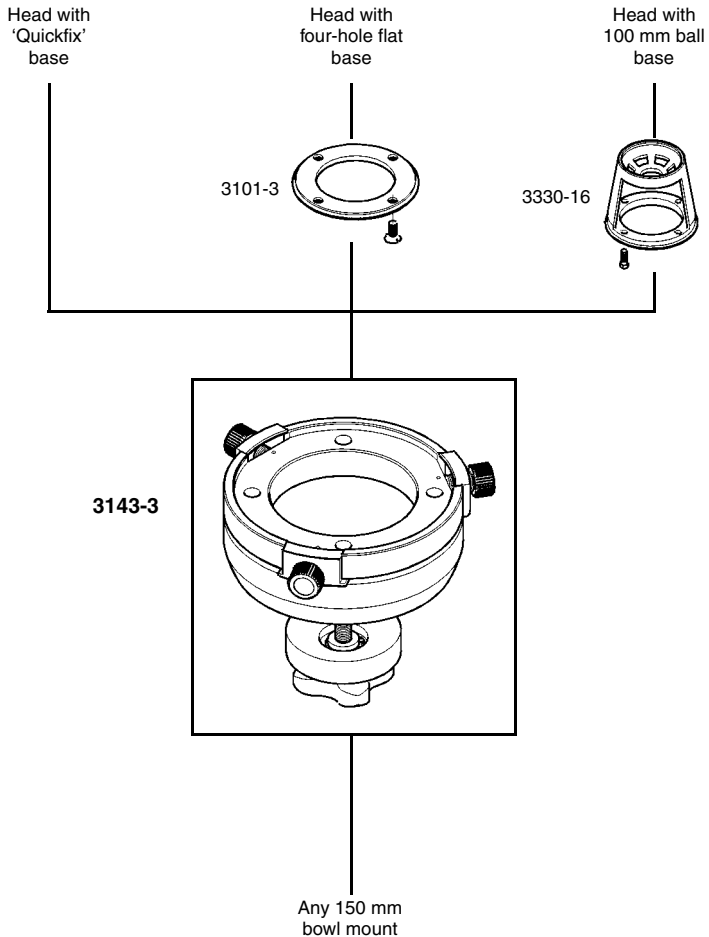
HEAD FIXING	BASE FIXING
'Quickfix'	150 mm ball with centre stud and clamp

Weight

1.5 kg (3.3 lb)

Load capacity

45 kg (100 lb)



'Quickfix' Adaptor with 100 mm Ball Base (3144-3)

This adaptor allows a pan and tilt head with a 'Quickfix' base to be installed on a standard Vision 100 mm tripod.

HEAD FIXING	BASE FIXING
'Quickfix'	100 mm ball with centre clamp

Weight

1.3 kg (2.86 lb)

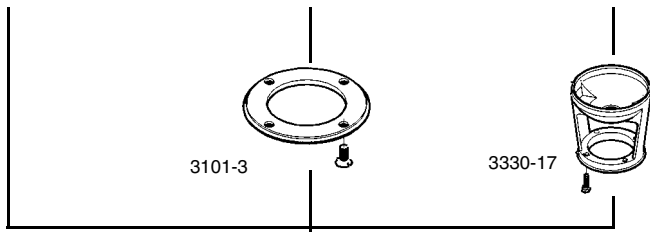
Load capacity

45 kg (100 lb)

Head with
'Quickfix'
base

Head with
four-hole flat
base

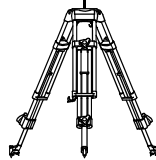
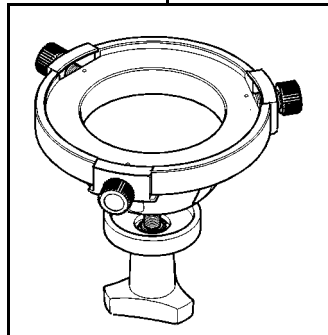
Head with
150 mm ball
base



3101-3

3330-17

3144-3



Vision 100 mm
ENG Tripod

'Quickfix' Levelling Adaptor with Four-Hole Flat Base (3328-30)

Primarily designed for use with the Osprey or Pro-Ped Pedestals, this adaptor allows a pan and tilt head with a 'Quickfix' base to be installed on a standard Vinten four-hole base. The clamp and spherical bearing allow the head to be levelled or set at an angle.

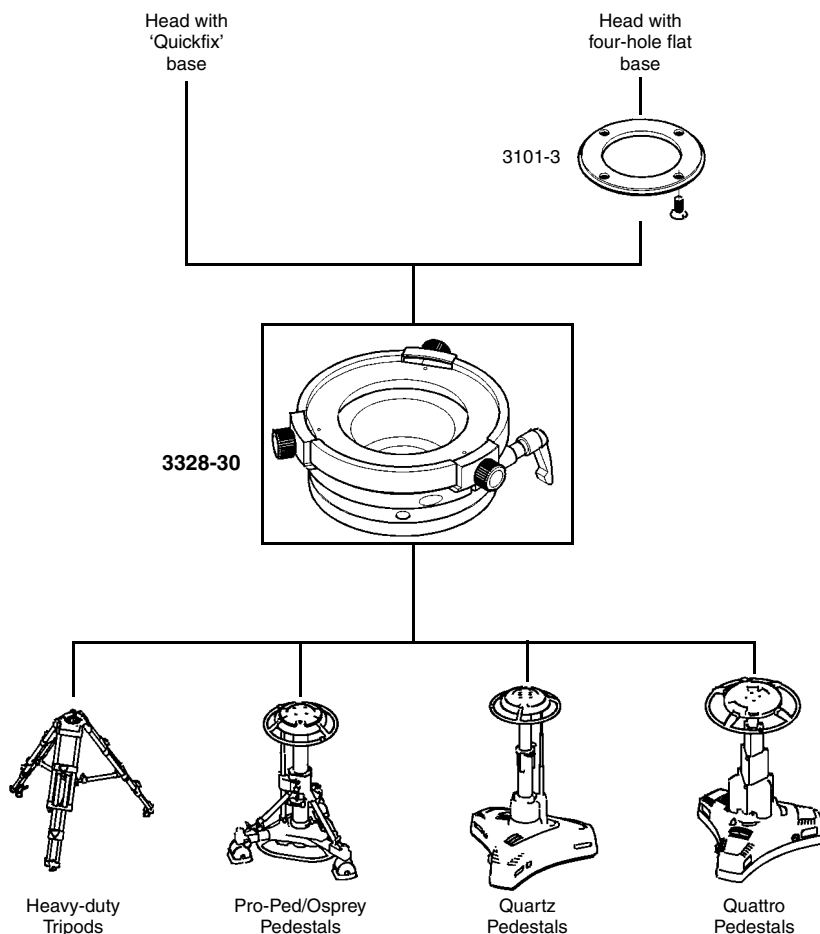
HEAD FIXING	BASE FIXING
'Quickfix'	Vinten four-hole base (page 7), threaded to accept 3/8 in. BSW screws

Weight

1.45 kg (3.2 lb)

Load capacity

45 kg (100 lb)



Heavy Duty 'Quickfix' Adaptor (3490-3)

This adaptor, with single lever operation for head mounting, allows a pan and tilt head with a 'Quickfix' base to be installed on a standard Vinten four-hole mounting.

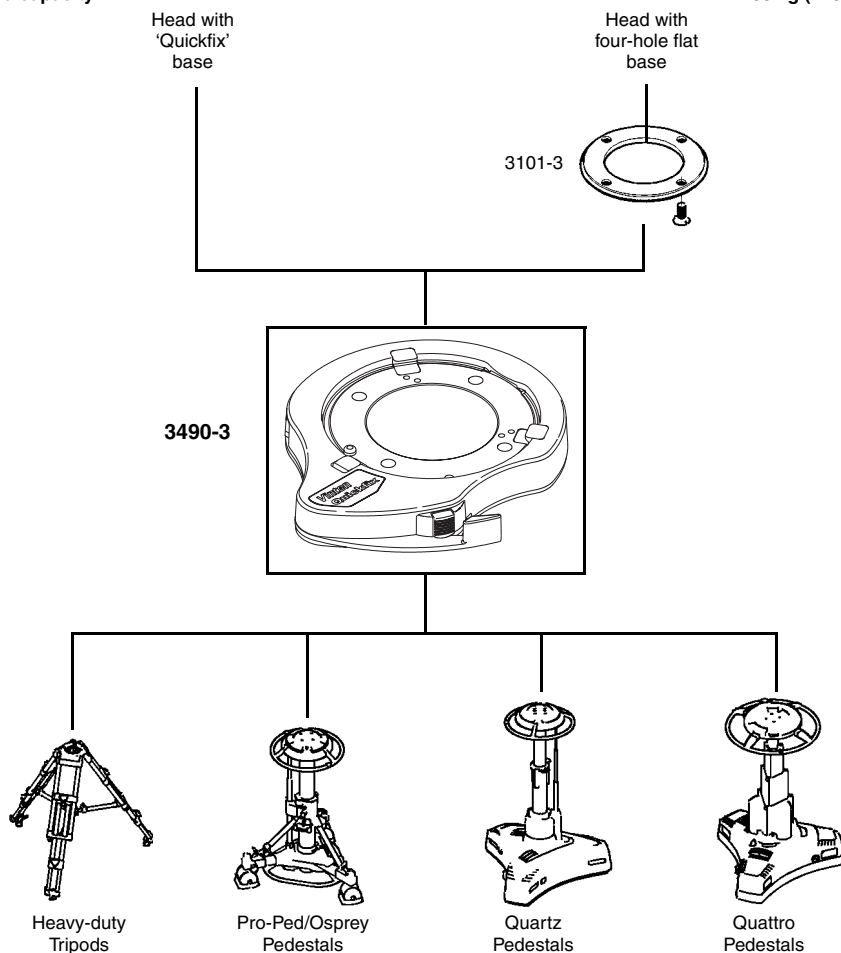
HEAD FIXING	BASE FIXING
'Quickfix'	Vinten four-hole base (page 7), threaded to accept 3/8 in. BSW screws

Weight

1.4 kg (3.1 lb)

Load capacity

100 kg (220 lb)





First
Page



Previous
Page



Next
Page



Previous
View

Mitchell Adaptors

Mitchell Spider Adaptor (3055-3)

This adaptor allows a pan and tilt head with a Mitchell centre screw to be installed on a standard Vinten four-hole base. Also available in black (3055-3B)

HEAD FIXING	BASE FIXING
Mitchell centre screw	Vinten four-hole base (page 7), with 3/8 in. BSW screws (supplied).

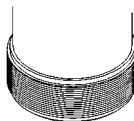
Weight

0.8 kg (1.76 lb)

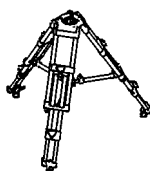
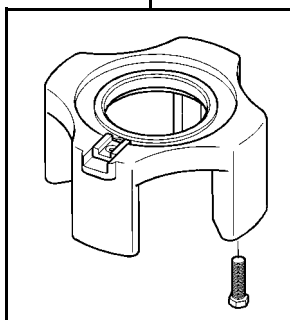
Load capacity

100 kg (220 lb)

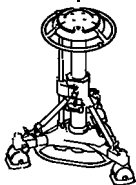
Head with Mitchell
centre screw
(See [page 16](#))



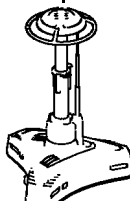
3055-3



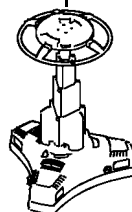
Heavy-duty
Tripods



Pro-Ped/Osprey
Pedestals



Quartz
Pedestals



Quattro
Pedestals

Mitchell Centre Screw (3724-3)

This adaptor allows a Mk 5 or Vector pan and tilt head to be mounted on a Mitchell base. The adaptor comprises a spider, wingnut and key, together with fixing hardware.

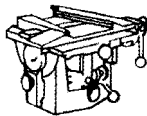
HEAD FIXING	BASE FIXING
Vinten four-hole base (page 7), with 3/8 in. BSW screws (supplied), plus Mitchell key.	Mitchell

Weight

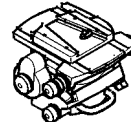
1.0 kg (2.2 lb)

Load capacity

100 kg (220 lb)

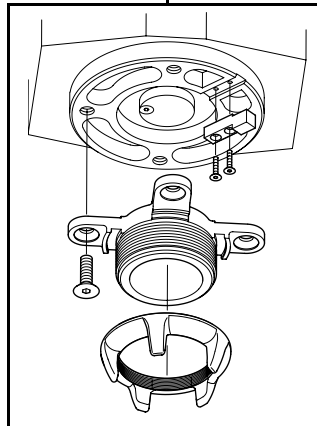


Mk 5 head



Vector head

3724-3



Mitchell base

Lightweight Mitchell Adaptor (3750-3)

This adaptor allows pan and tilt head with a standard Vinten four-hole base to be mounted on a Mitchell base. The adaptor comprises a Mitchell adaptor, wingnut and key.

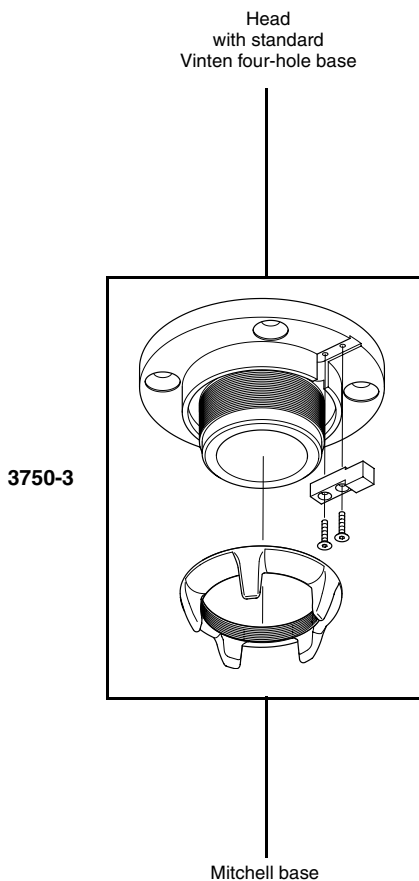
HEAD FIXING	BASE FIXING
Vinten four-hole base (page 7), with 3/8 in. BSW screws (not supplied)	Mitchell

Weight

1.0 kg (2.2 lb)

Load capacity

100 kg (220 lb)



Mitchell Adaptor - Four-Hole Flat Base to Heavy-Duty Tripod (3103-3)

This adaptor allows a four-hole flat-base pan and tilt head to be installed on a heavy-duty tripod with a Mitchell fixing.

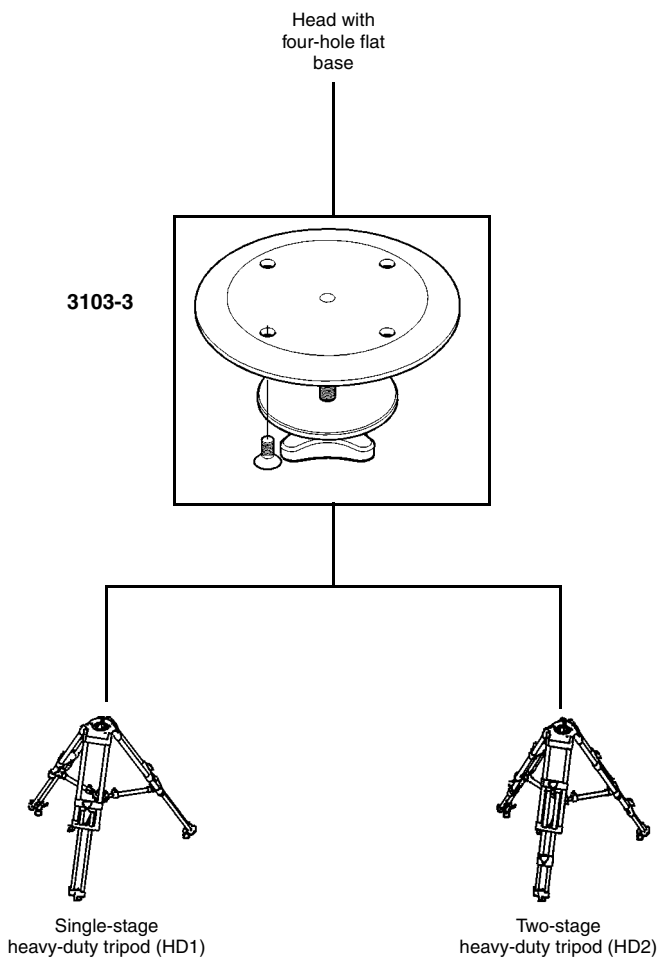
HEAD FIXING	BASE FIXING
Vinten four-hole base (page 7) (screws supplied)	Mitchell

Weight

0.9 kg (2.0 lb)

Load capacity

100 kg (220 lb)





75/100 mm Ball Adaptors

75 mm Ball to 100 mm Bowl Adaptor (U005-159)

This adaptor allows a pan and tilt head with a 75 mm ball base, such as a Vision 6, to be installed on a tripod with a 100mm bowl.

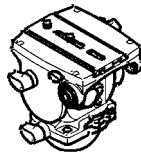
HEAD FIXING	BASE FIXING
75 mm ball	100 mm bowl

Weight

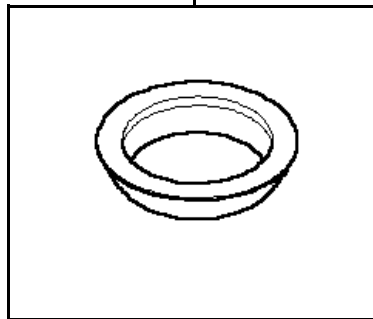
0.14 kg (0.3 lb)

Load capacity

20 kg (44 lb)



Vision 6



U005-159

100 mm
bowl mount



First
Page



Previous
Page



Next
Page



Previous
View

100/150 mm Ball Adaptors

100 mm Levelling Bowl Adaptor (3330-16)

This adaptor allows a pan and tilt head with a 100 mm ball base to be installed on a standard Vinten four-hole base. It may also be secured using a 'Quickfix' adaptor.

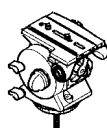
HEAD FIXING	BASE FIXING
100 mm ball	Vinten four-hole base (page 7), with 3/8 in. BSW screws (supplied)/ 'Quickfix'

Weight

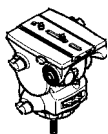
0.5 kg (1.1 lb)

Load capacity

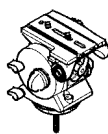
45 kg (100 lb)



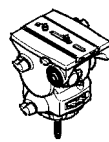
Vision 5LF



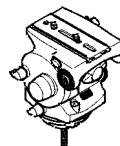
Vision 8



Vision 10LF

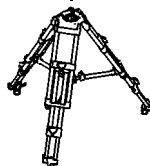
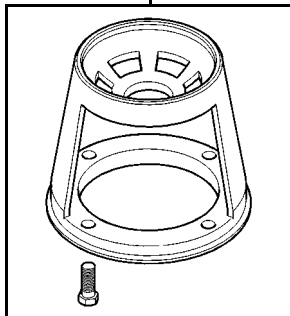


Vision 11

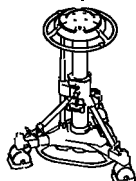


Vision 100

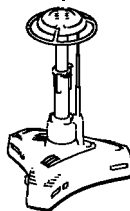
3330-16



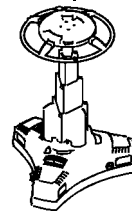
Heavy-duty Tripods
(four-bolt fixing)



Pro-Ped/Osprey
Pedestals



Quartz
Pedestals



Quattro
Pedestals

150 mm Levelling Bowl Adaptor (3330-17)

This adaptor allows a pan and tilt head with a 150 mm ball base to be installed on a standard Vinten four-hole base. It may also be secured using a 'Quickfix' adaptor.

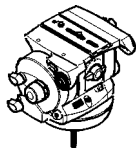
HEAD FIXING	BASE FIXING
150 mm ball	Vinten four-hole base (page 7), with 3/8 in. BSW screws (supplied)/ 'Quickfix'

Weight

0.95 kg (2.1 lb)

Load capacity

45 kg (100 lb)

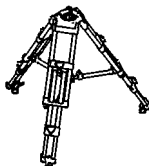
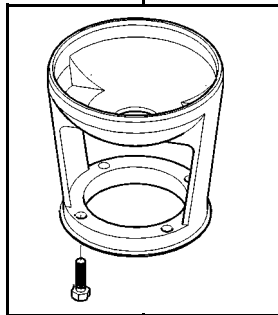


Vision 250

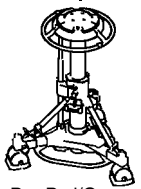


Vision 30

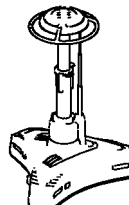
3330-17



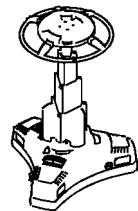
Heavy-duty Tripods
(four-bolt fixing)



Pro-Ped/Osprey
Pedestals



Quartz
Pedestals



Quattro
Pedestals

100 mm Ball to Hot Pod Adaptor (3330)

This range of adaptors allows a Vinten pan and tilt head with 100 mm ball mounting to be installed in a Sachtler Hot Pod.

It will be necessary to replace the existing fixing stud with that supplied in the kit. In some cases the stud carrier may have to be replaced.

NOTE: Please contact Vinten Broadcast Ltd or your local distributor for advice on installing this adaptor.

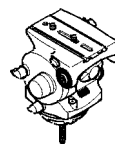
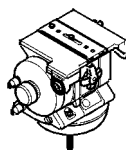
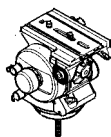
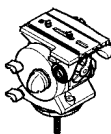
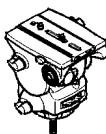
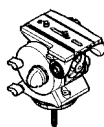
HEAD FIXING	BASE FIXING
100 mm ball	Sachtler Hot Pod

Weight

0.1 - 0.3 kg (0.22 - 0.66 lb)

Load capacity

N/A



Vision 5LF/10LF
3330-22
(EARLY HEADS)
3330-23
(LATE HEADS)

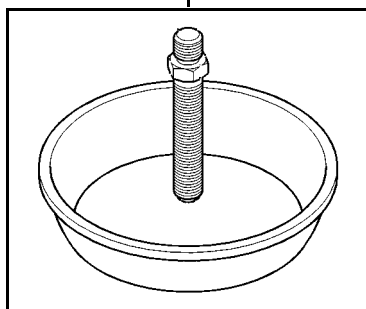
Vision 8/11
3330-27

Vision 10
3330-12

Vision 12SD
3330-20

Vision 20
3330-14

Vision 100
3330-26



Sachtler Hot Pod

Four-Hole to 150 mm Bowl Adaptor (3104-3)

This adaptor allows a pan and tilt head with a standard Vinten four-hole base to be installed on a 150 mm bowl. Using a 100 mm levelling bowl (page 22), a pan and tilt head with a 100 mm ball may be mounted on a 150 mm bowl.

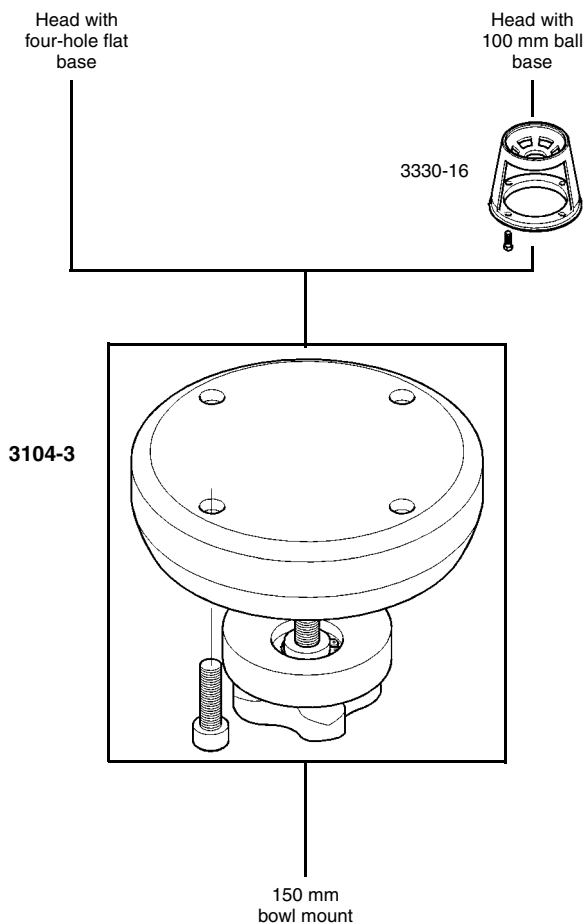
HEAD FIXING	BASE FIXING
Vinten four-hole base (page 7), with 3/8 in. BSW screws (supplied)	150 mm bowl with centre stud and clamp

Weight

0.85 kg (1.87 lb)

Load capacity

45 kg (100 lb)



Miscellaneous Pan & Tilt Head to Mounting Adaptors

200 mm Hi-Hat (3155-3)

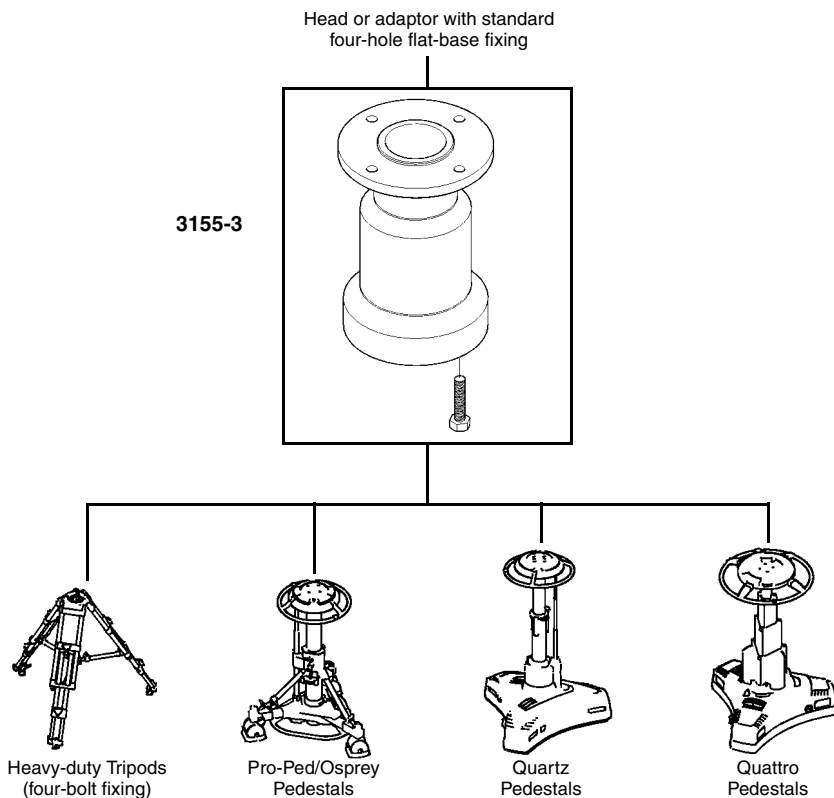
This adaptor provides a 200 mm (7.9 in.) height extension for any tripod or pedestal with a standard four-hole fixing.

HEAD FIXING	BASE FIXING
Vinten four-hole base (page 7).	Vinten four-hole base (page 7), with 3/8 in. BSW screws (supplied).

Weight	2.0 kg (4.4 lb)
Load capacity	150 kg (330 lb)



WARNING! The use of more than one 200 mm adaptor will reduce pedestal payload and stability, and is not recommended.



Short Securing Knob for Vision Heads (3321-30)

This knob is designed for use on tripods or other bowl bases where space below the bowl is restricted.

HEAD FIXING	BASE FIXING
Standard Vision ball mount with stud	Bowl mounting

Weight

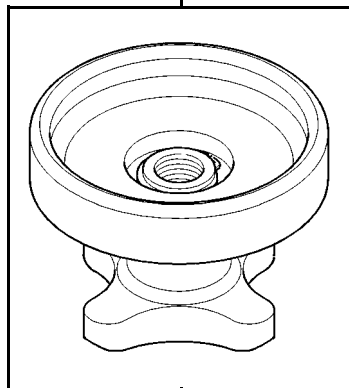
0.2 kg (0.44 lb)

Load capacity

N/A



Vision head
with ball
mount



3321-30

Any bowl mount

Vinten Four-Hole Fixing to Skid (3368-24)

This adaptor allows a pan and tilt head with a standard four-hole fixing to be installed on a Vinten skid.

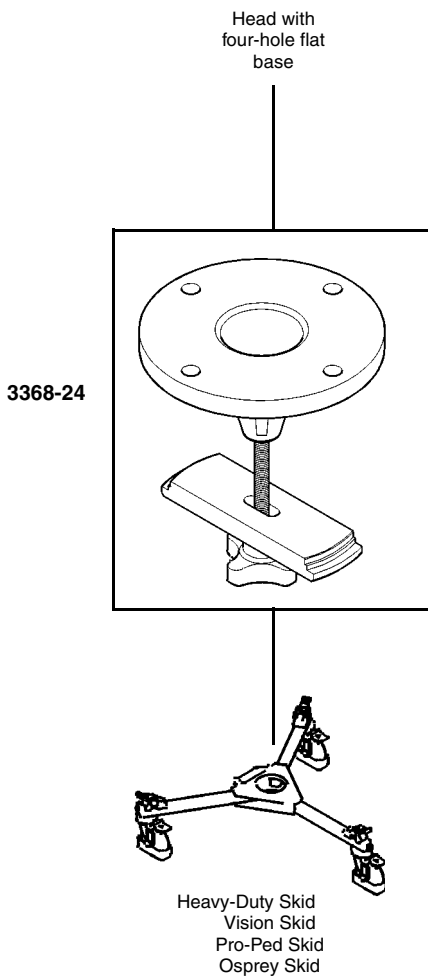
HEAD FIXING	BASE FIXING
Vinten four-hole base (page 7).	Clamp to suit skid

Weight

0.6 kg (1.3 lb)

Load capacity

150 kg (330 lb)



Scaffold Clamp (3407-1A)

This adaptor provides a flat base with a standard four-hole fixing that may be mounted directly onto OB scaffolding.

HEAD FIXING	BASE FIXING
Vinten four-hole base (page 7).	50 mm (2 in.) diameter scaffold clamps, centred at 146 mm (5 3/4 in.).

Weight

3.1 kg (6.8 lb)

Load capacity

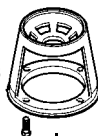
182 kg (400 lb)

Head with
four-hole flat
base

Head with
100 mm ball
base

Head with
150 mm ball
base

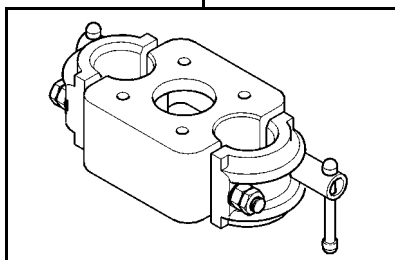
3330-16



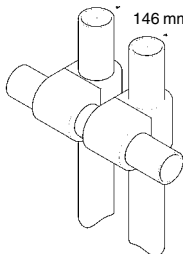
3330-17



3407-1A



146 mm



OB scaffolding

20 mm Spacer Ring (3354-900SP)

When mounted on Vinten 'Hawk' or 'Teal' pedestals, clearance between the Vector 70 and Vector 700 pan and tilt heads and the pedestal weight tray prevents the use of 5.5 lb (1.6 kg) and 1.0 lb (0.47 kg) trim weights.

This spacer ring is installed between the head and the pedestal to increase clearance.

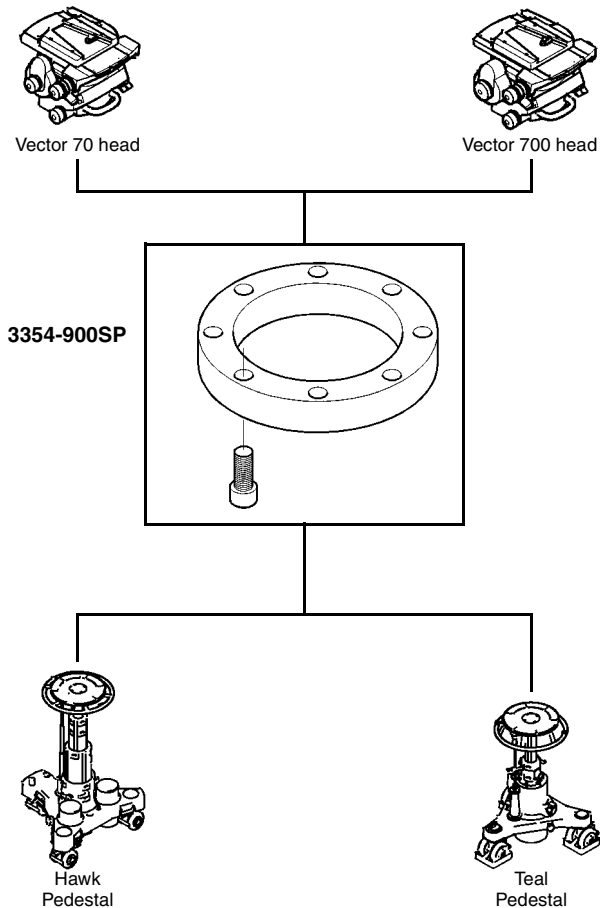
HEAD FIXING	BASE FIXING
Vinten four-hole fixing (page 7), with 3/8 in. BSW screws (supplied).	Vinten four-hole base (page 7)

Weight

0.4 kg (0.9 lb)

Load capacity

100 kg (220 lb)



Part 2 - Camera to Pan and Tilt Head Adaptors

Slide Plates

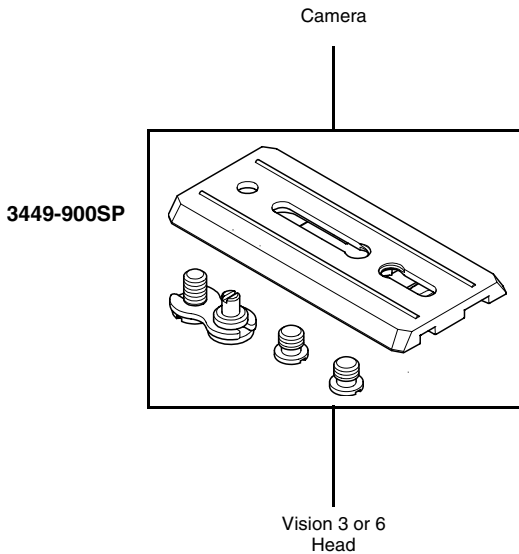
Slide plate for Vision 3 and 6 Heads (3449-900SP)

The slide plate is supplied with two 3/8 in. BSW camera fixing screws and a 1/4 in. VHS pin adaptor.

CAMERA FIXING	HEAD FIXING
Screws or VHS adaptor (page 48) (supplied)	Slide plate

Weight

0.012 kg (0.026 lb)



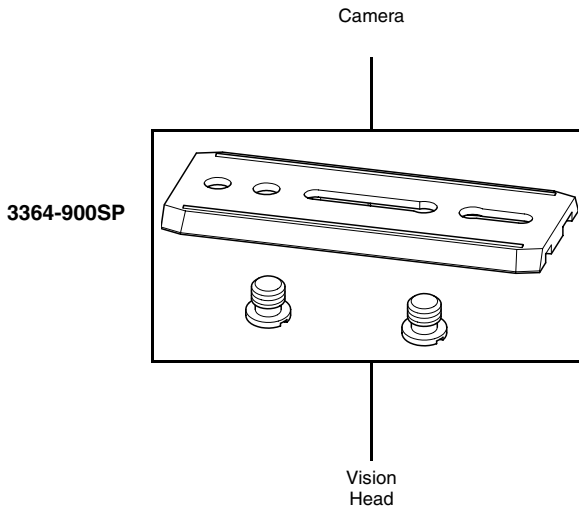
Slide plate for Vision 8 - 250 Heads (3364-900SP)

The slide plate is supplied with two 3/8 in. BSW camera fixing screws.

CAMERA FIXING	HEAD FIXING
Screws (supplied)	Slide plate

Weight

0.012 kg (0.026 lb)



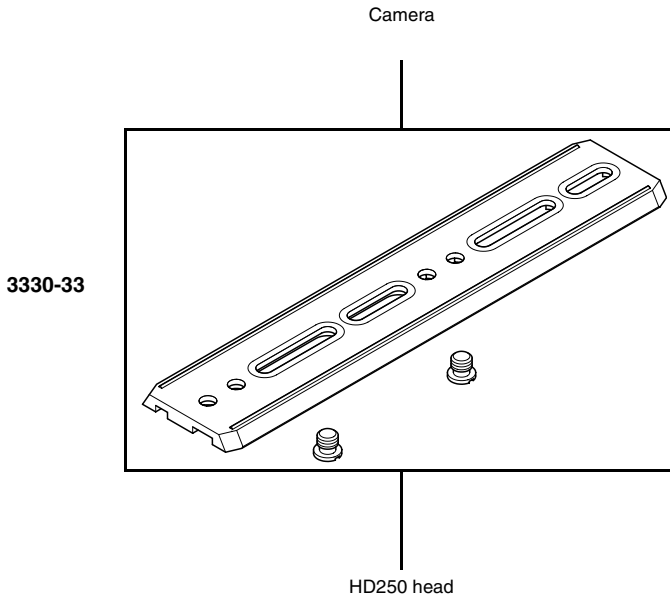
Extended Slide Plate for HD250 Heads (3330-33)

This extended slide plate is intended for use with high definition and film cameras and is supplied with two 3/8 in. BSW camera fixing screws.

CAMERA FIXING	HEAD FIXING
Screws (supplied)	Slide plate

Weight

0.022 kg (0.05 lb)





First
Page



Previous
Page



Next
Page



Previous
View

Wedge Adaptors

Standard Wedge with Fixing Screws (3053-3)

This wedge is secured to the underside of a camera and may be installed in a wedge adaptor on any suitable pan and tilt head.

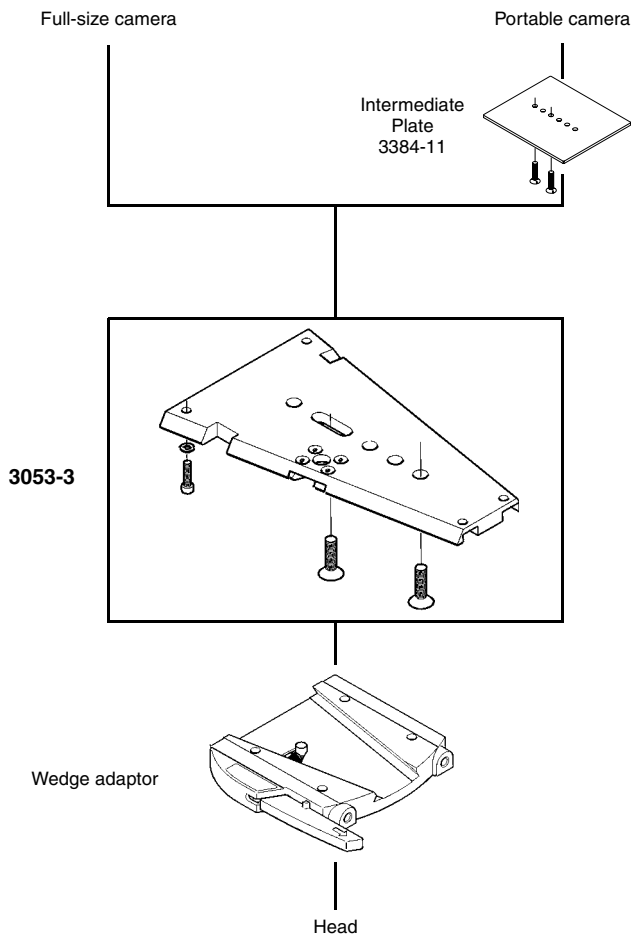
CAMERA FIXING	HEAD FIXING
Screws (supplied)	Vinten Automatic Wedge Adaptor (3389-3) or any suitable wedge adaptor

Weight

0.85 kg (1.87 lb)

Load capacity

150 kg (330 lb)



Short Wedge with Fixing Screws (3391-3)

This wedge is secured to the underside of a camera and may be installed in a wedge adaptor on any suitable pan and tilt head. It is intended for use where a standard length wedge would obstruct the camera cooling fan inlet.

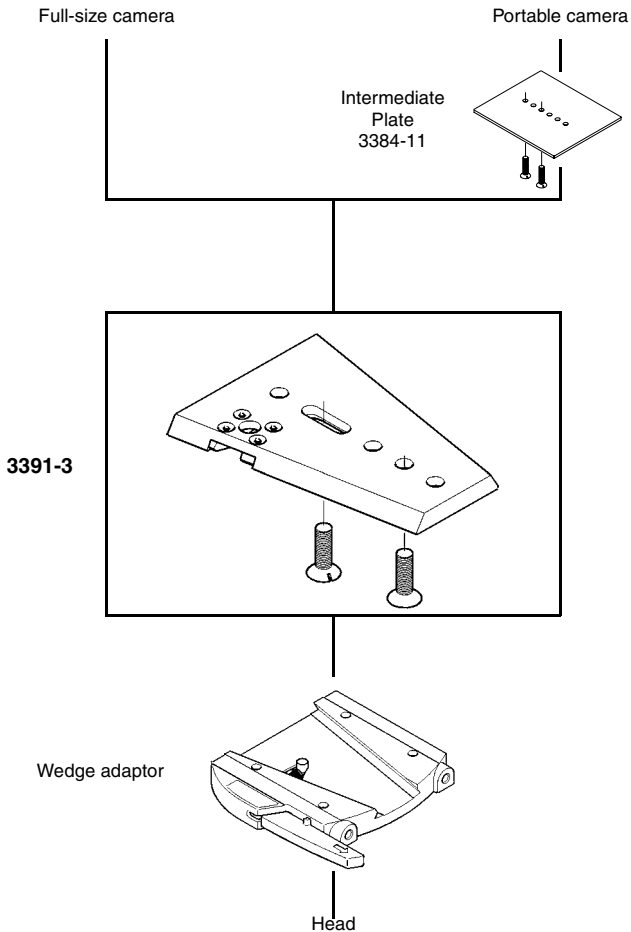
CAMERA FIXING	HEAD FIXING
Screws (supplied)	Vinten Automatic Wedge Adaptor (3389-3) or any suitable wedge adaptor

Weight

0.65 kg (1.43 lb)

Load capacity

150 kg (330 lb)



Automatic Wedge Adaptor (3389-3)

This adaptor allows a camera fitted with a wedge to be installed on any suitable pan and tilt head.

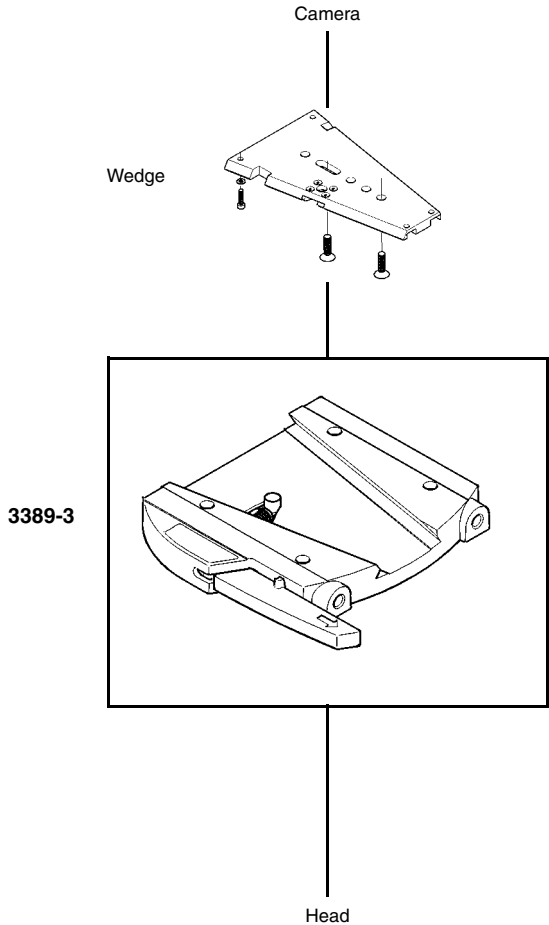
CAMERA FIXING	HEAD FIXING
Wedge (not supplied)	3/8 in. BSW screws (not supplied)

Weight

1.3 kg (2.86 lb)

Load capacity

150 kg (330 lb)



Automatic Wedge Adaptor (Black) (3460-3)

Designed for use with black-painted heads, this adaptor allows a camera fitted with a wedge to be installed.

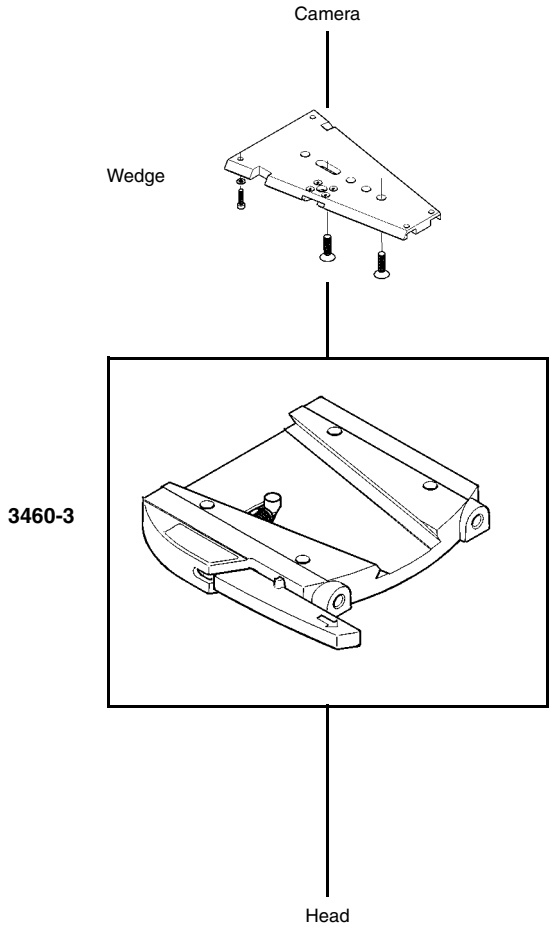
CAMERA FIXING	HEAD FIXING
Wedge (not supplied)	3/8 in. BSW screws (not supplied)

Weight

1.3 kg (2.86 lb)

Load capacity

150 kg (330 lb)



Wedge Plate Extender (3069-3)

This adaptor may be installed on Vinten Mk 3, Mk 5, Mk 7 and Vector pan and tilt heads to increase the fore-and aft balance range of the camera.

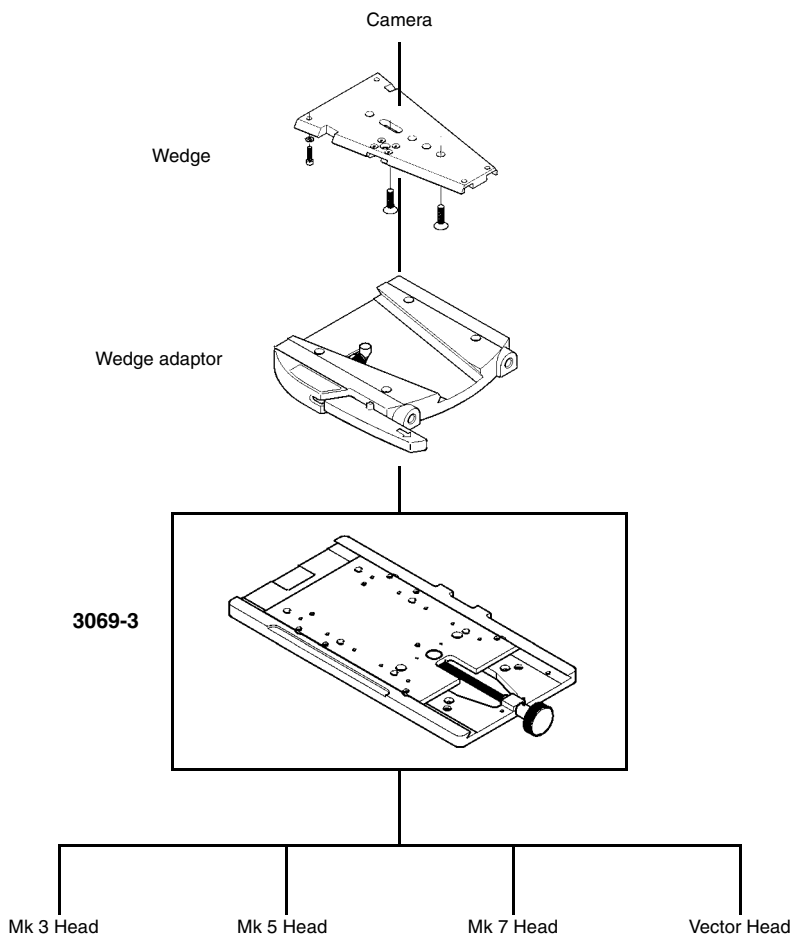
CAMERA FIXING	HEAD FIXING
Wedge adaptor	Secured to pan and tilt head with appropriate hardware (supplied)

Weight

4.25 kg (9.35 lb)

Load capacity

150 kg (330 lb)



Intermediate Plate (3384-11)

This plate is fitted between a portable camera and a wedge and provides a locking surface for the wedge adaptor.

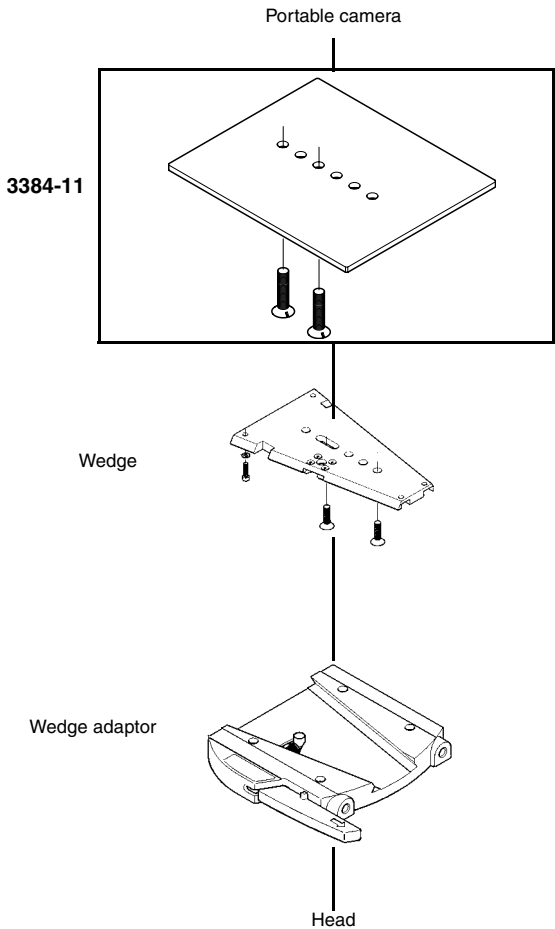
CAMERA FIXING	HEAD FIXING
Secured to camera with wedge and two 1 1/4 in. long 3/8 in. BSW countersunk screws (supplied)	Vinten Automatic Wedge Adaptor (3389-3) or any suitable wedge adaptor

Weight

0.55 kg (1.2 lb)

Load capacity

N/A





First
Page



Previous
Page



Next
Page



Previous
View

'Quickfit'[®] Adaptors

ENG 'Quickfit' Automatic Adaptor (3371-3)

This adaptor provides a quick-release fixing for cameras weighing up to 25 kg (55 lb).

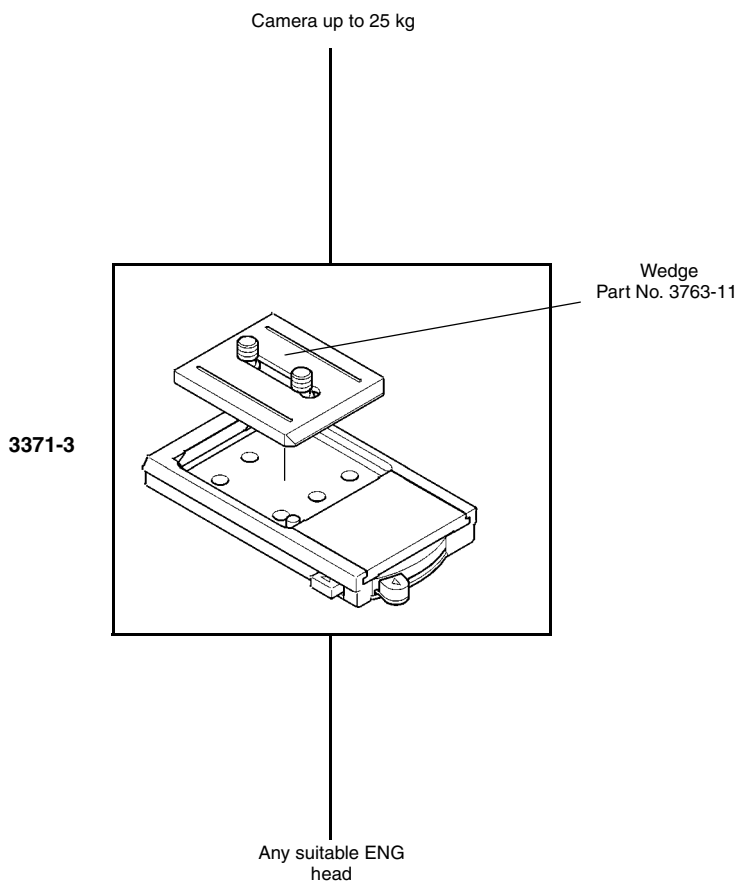
CAMERA FIXING	HEAD FIXING
Wedge plate with two 3/8 in. BSW camera screws (supplied)	Two holes on centre line threaded 3/8 in. BSW Four holes drilled 4.5 mm and counterbored

Weight

0.4 kg (0.9 lb)

Load capacity

25 kg (55 lb)



ENG 'Quickfit' Automatic Adaptor (Black) (3471-3)

This adaptor provides a quick-release fixing for cameras weighing up to 25 kg (55 lb) and is designed for use on black-painted heads.

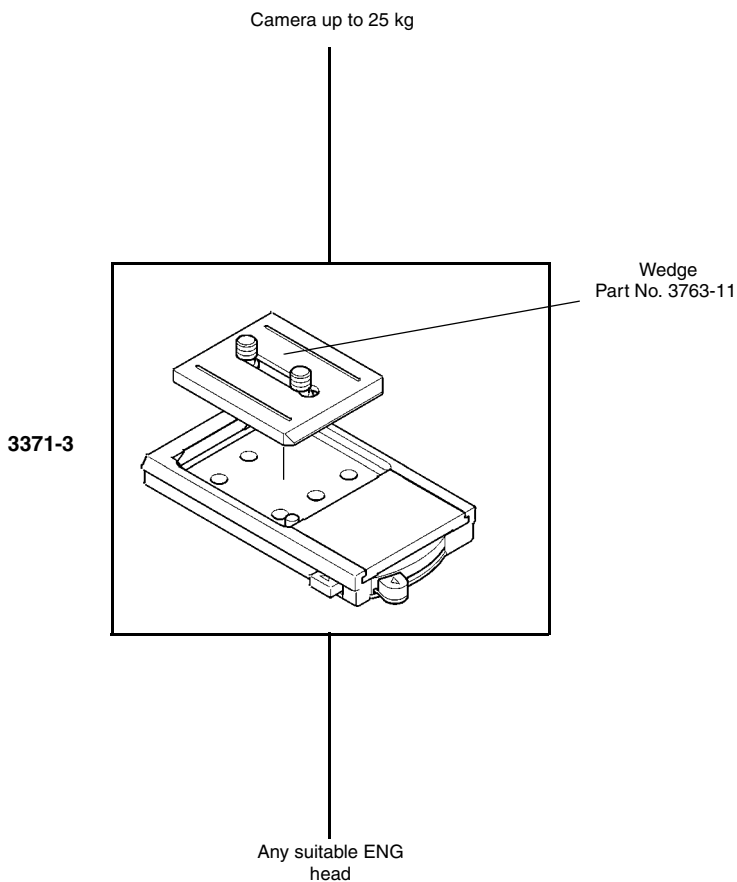
CAMERA FIXING	HEAD FIXING
Wedge plate with two 3/8 in. BSW camera screws (supplied)	Two holes on centre line threaded 3/8 in. BSW Four holes drilled 4.5 mm and counterbored

Weight

0.4 kg (0.9 lb)

Load capacity

25 kg (55 lb)



EFP 'Quickfit' Automatic Adaptor (3761-3)

This adaptor provides a quick-release fixing for EFP cameras weighing up to 45 kg (100 lb).

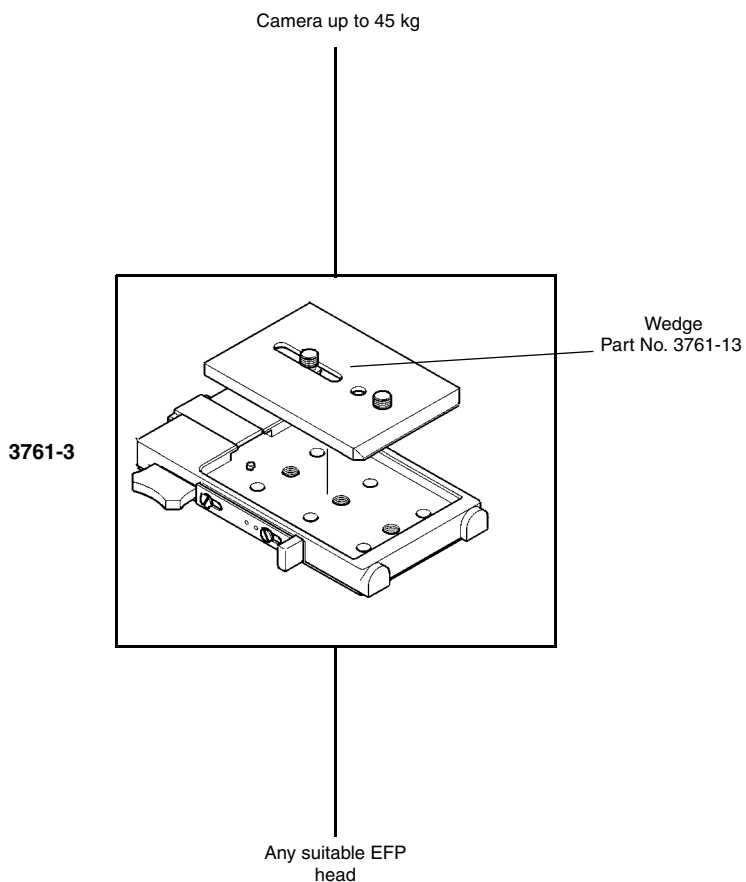
CAMERA FIXING	HEAD FIXING
Wedge with two 3/8 in. BSW camera screws (supplied)	Three holes on centre line threaded 3/8 in. BSW Six holes drilled 4.5 mm and counterbored

Weight

0.7 kg (1.54 lb)

Load capacity

45 kg (100 lb)





First
Page



Previous
Page



Next
Page



Previous
View

VHS Adaptors

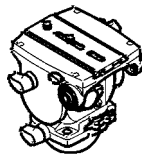
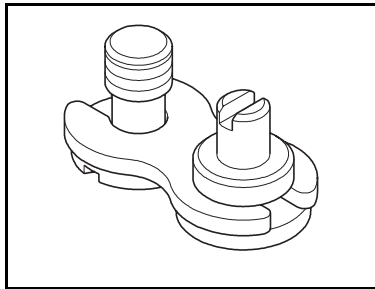
VHS Adaptor (3330-29)

The VHS adaptor is designed to connect a camera with a 1/4 in. BSW mounting hole and a VHS location hole to a standard Vision camera slide plate. The VHS pin and 1/4 in. BSW camera mounting screw are connected by a plastic link.

Weight
Payload

Negligible
As per head

3330-29



Any Vision head

Part 3 - Miscellaneous Adaptors

Extended Clamp Assembly (3219-34)

This adaptor is designed to allow the pan bar(s) on a Vision pan and tilt head to be set farther apart, to accommodate a wide payload. It may be used on all Vision heads except Vision 5. Also available in black (3219-105).

Weight

0.1 kg (0.22 lb)

Payload

N/A

