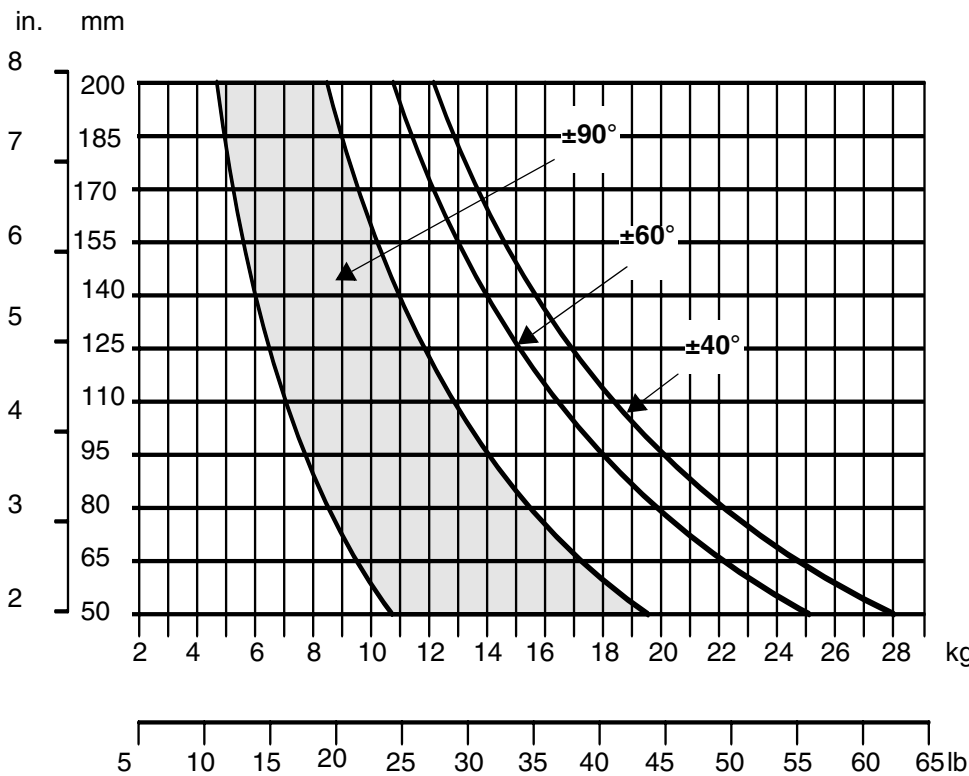
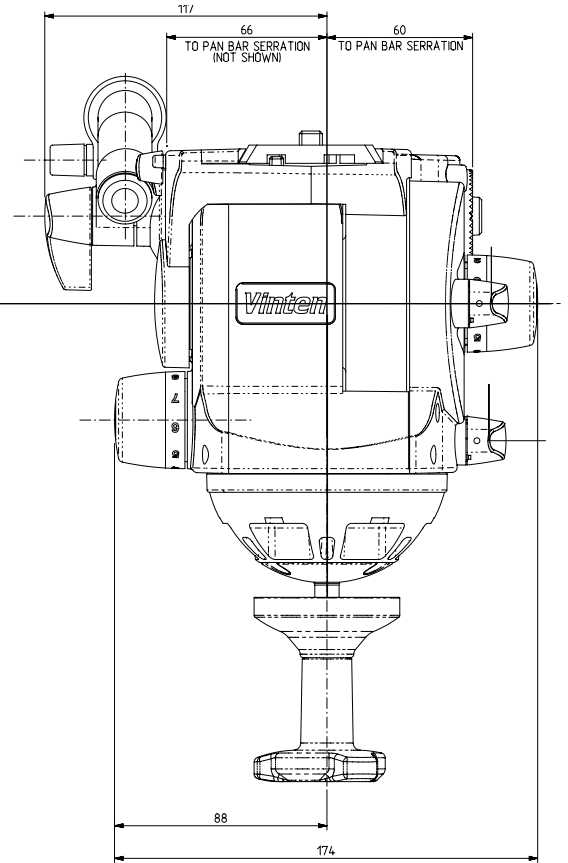
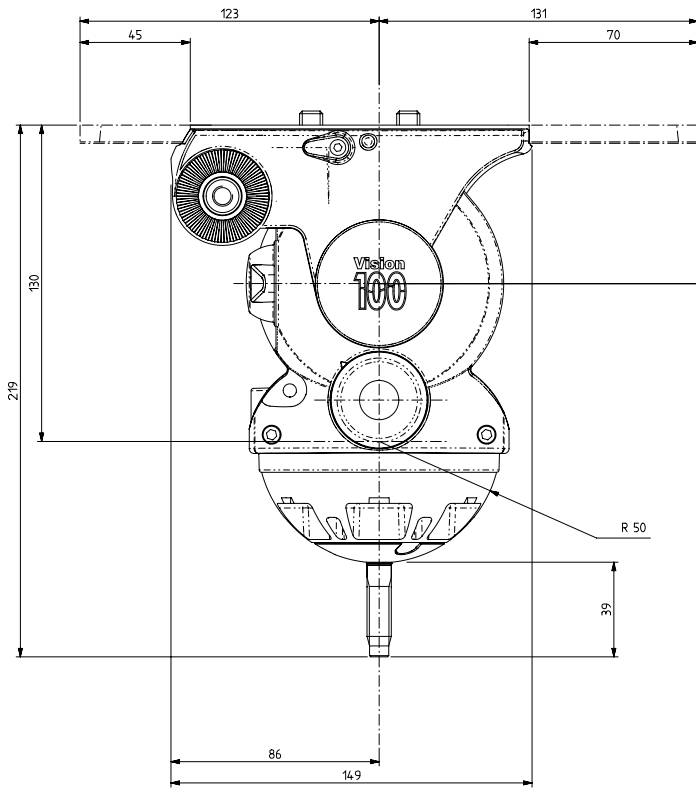


Vision 100 Pan & Tilt Head



The graph shows the range of load and C of G height that can be maintained in balance. The shaded area of graph corresponds to those load/C of G combinations that can be balanced over the full tilt range. The areas to the right indicate the progressively reducing tilt range with greater load and higher C of G.

Where a load/C of G combination falls outside of the graph it will be necessary to increase or decrease the weight or the C of G height - if possible - to enable the head to balance the load.

Technical Data

Vinten

Weight (complete with pan bar and bowl clamp)	3.85 kg (8.47 lb)
Height to mounting face	150 mm (5.9 in.)
Length	148 mm (5.8 in.)
Width	175 mm (6.9 in.)
Load capacity	See balance graph
Tilt range	±90°
Pan range	360°
Pedestal/tripod fixing	100 mm ball

Main assemblies

Vision 100 Pan and Tilt Head	3466-3
Vision 100 Pan and Tilt Head with two pan bars and ENG Quickfit Automatic Adaptor (with wedge plate)	3466-3D
Bowl clamp knob assembly	3330-30
Telescopic pan bar and clamp	3219-91
Camera mounting plate	3364-900SP

User-replaceable spare parts

Battery - 9V, 6LR61 (PP3, 6AM6, MN1604, E-BLOCK or equivalent)	C550-023
Brake knob	3431-24

Optional accessories -Quickfit adaptors

ENG Quickfit Automatic Adaptor (with wedge plate)	3471-3
Quickfit wedge	3763-11

Optional accessories - tripod and pedestal adaptors

Adaptor 100mm ball to 4-bolt flat base	3330-16
Adaptor 150mm ball to 4-bolt flat base	3330-17
Levelling adaptor - Quickfix to 4-bolt flat base	3077-3

Vinten Broadcast Limited
Western Way, Bury St. Edmunds
Suffolk IP33 3TB, United Kingdom
Telephone +44 (0)1284 752121
Telefax +44 (0)1284 750560
Sales Office Fax +44 (0)1284 757929

Vinten GmbH
Gebäude 16
Planiger Straße 34
D-55543 Bad Kreuznach, Germany
Telephone +49 (0) 671/483 43-30
Telefax +49 (0) 671/483 43-50

Vinten Japan KK
3-37-5 Sendagaya
Shibuya-Ku, Tokyo 151-0051, Japan
Telephone +81 3-3478-6017
Telefax +81 3-3478-6018

Vinten Inc.
709 Executive Boulevard
Valley Cottage, NY 10989, USA
Telephone +1 845 268 0100
Telefax +1 845 268 0113
Toll Free 1 888 4 VINTEN (Service)
1 888 2 VINTEN (Sales)

Vinten Broadcast s.a.r.l.
171, Avenue des Grésillons
92635 GENNEVILLIERS Cedex
France
Telephone +33 08 20 82 13 36
Telefax +33 08 25 82 61 81

Vinten Asia Pacific Pte Ltd
6 New Industrial Road
#02-02 Hoe Huat Industrial Building
Singapore 536199
Telephone +65 62975776
Telefax +65 62975778

Vinten