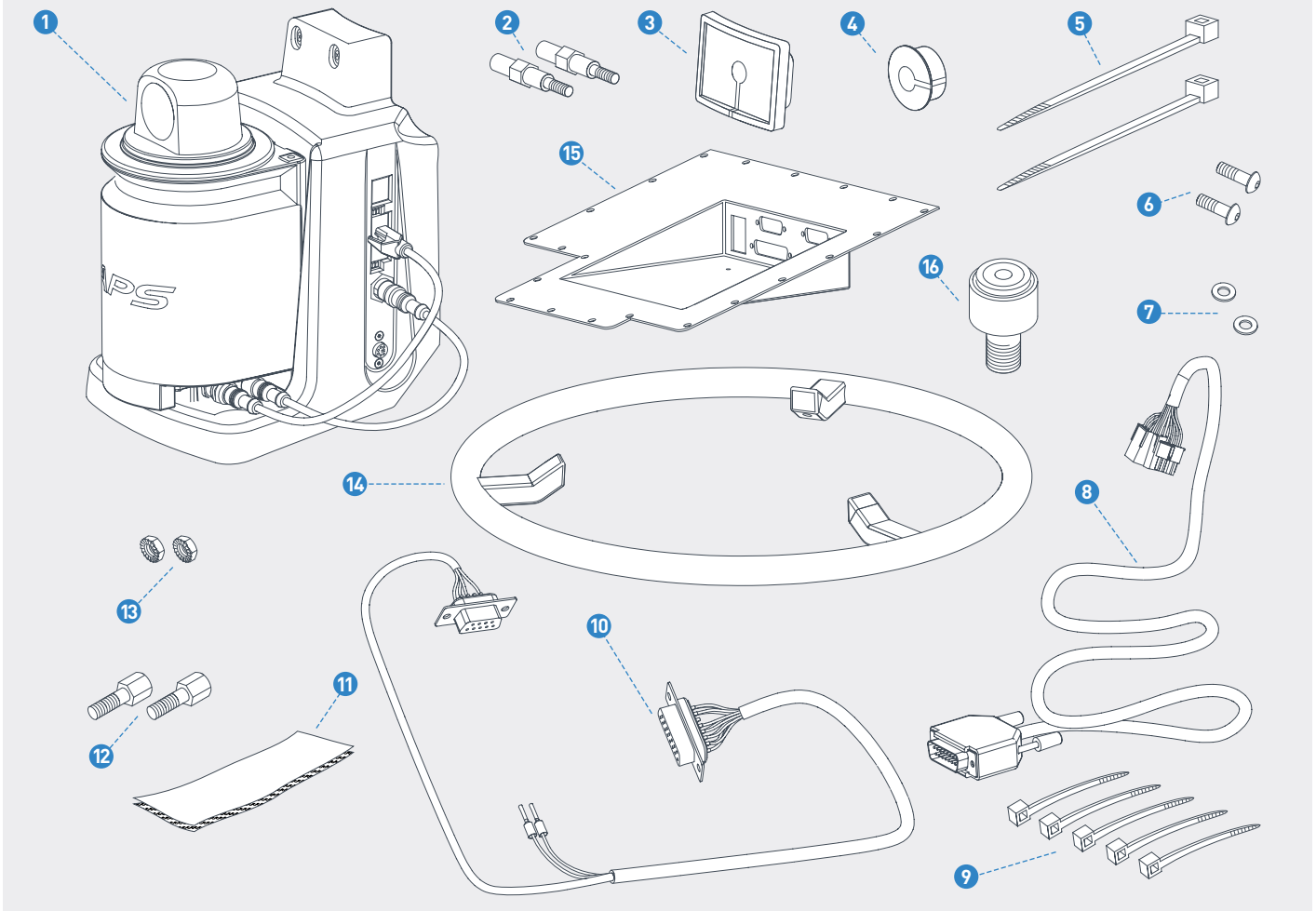


APS Scanner

APS Scanner Mounting to Pedestal



V4109-0001 Fusion APS Upgrade Kit Contents



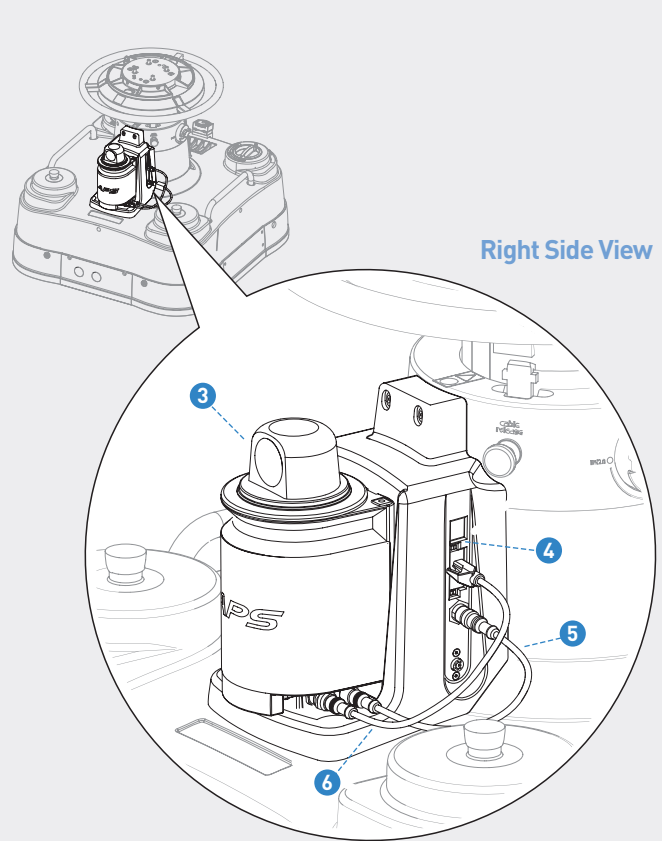
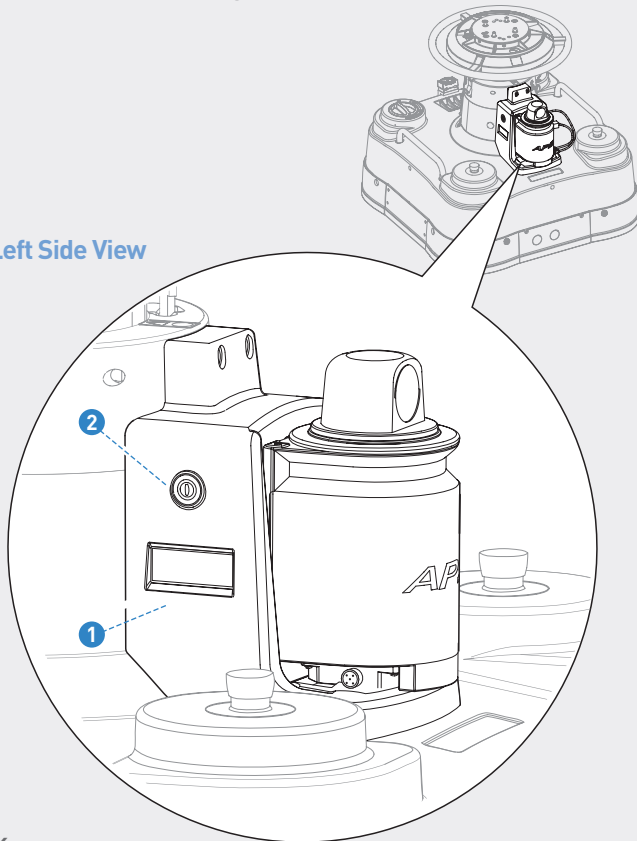
Key:

- | | | | |
|------------------------|--------------------------------------|------------------------|--|
| 1. V4109-1001 | APS scanner unit and cradle assembly | 9. 07-9100-9001 | Small cable tie, x5 |
| 2. V4109-2001 | Cradle mounting pillars | 10. V4109-5003 | Control box APS wiring loom |
| 3. V4109-2011 | Rectangle cable grommet | 11. K553-032 | Extra strong self adhesive Velcro |
| 4. V4109-2012 | Circular cable grommet | 12. AB-40349 | D-Connector stand-off pillar x2 |
| 5. 07-9100-9000 | Medium cable tie, x2 | 13. AB-040170 | 4-40 captive nut x2 |
| 6. M006-514 | M5 x 16mm button head screw, x2 | 14. V4109-1010 | Small steering ring assembly (diameter 500 mm, 19.7 in.) |
| 7. M600-006 | M5 plain washer, x2 | 15. V3952-2263 | Control box lid |
| 8. V4109-5003 | Control box to cradle wiring loom | 16. V4109-1900 | APS bubble level (optional accessory) |

APS Scanner Mounting to Pedestal

Left Side View

Right Side View



Key:

- 1. LCD Display
- 2. Power Switch
- 3. Rotating laser scanner head
- 4. Ethernet ports
- 5. Power interconnecting cable
- 6. Data interconnecting cable

Technical Specification

Dimensions

Weight	3.7 Kg (8.2 lb)	Width	177 mm (7.0 in.)
Height	257 mm (10.1 in.)	Length	211 mm (8.3 in.)

Power

DC power input	24V DC (supplied directly from the pedestal)
----------------	--

Environmental

Temperature range (operation)	0°C to +40°C (32°F to +104°F)
-------------------------------	-------------------------------

APS Accuracy

APS X/Y accuracy	±25 mm
APS angular accuracy	±0.1°

Laser Scanner Specification

Laser light wavelength	905 nm, infrared, eye safe
------------------------	----------------------------

Laser Compliance

- Complies with laser class 1 in accordance with IEC 60825-1
- Complies with 21 CFR 1040.10 and CFR1040.11 except for deviations pursuant to laser notice No.50 dated June 24th, 2007

System Compatibility

Supported VRC versions	1.60 upwards
------------------------	--------------

Built in web server for configuration and management.

Part Numbers

- V4109-0001** **Fusion APS upgrade kit**
For upgrading of existing FP-145, FP-188, FP-188+ and FPR-210+ existing pedestals
- V4109-1012** Cylindrical floor-standing APS target, for colouring
- V4109-1013** Cylindrical floor-standing APS target, black
- V4109-1014** Flat wall-mounted APS target, for colouring
- V4109-1015** Flat wall-mounted APS target, black

Vinten Radamec

William Vinten Building, Western Way, Bury St Edmunds
Suffolk IP33 3TB United Kingdom

t: +44 (0)1284 776700 t: USA (+1) 845 268 0100

www.vintenradamec.com